

RECYCLING EQUIPMENT RANGE

MOBILE TROMMEL SCREENS

MPB 14.44, MPB 18.47, MPB 20.55, MPB 20.72, MPB 20.55g

MOBILE SLOW-SPEED SHREDDER

MRW 2.85, MRW 2.1010



RECYCLING EQUIPMENT RANGE

MOBILE TROMMEL SCREENS

MPB 14.44, MPB 18.47, MPB 20.55, MPB 20.72

04

MPB 20.55g

06

MOBILE SLOW-SPEED SHREDDER

MRW 2.85, 2.1010

16

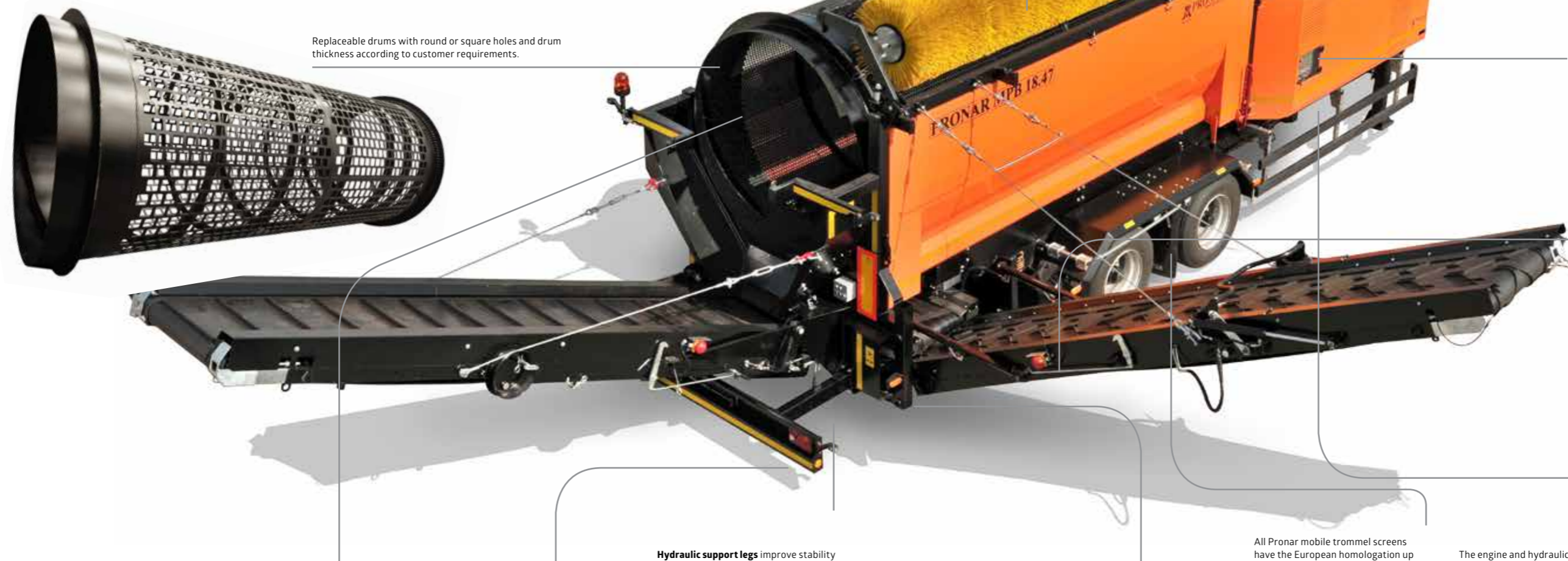


The MTP Gold Medal award for the MPB 18.47 Mobile Trommel SCREEN is the most prestigious and valued award on the Polish market.



PRONAR MPB 14.44, MPB 18.47, MPB 20.55, MPB 20.72 mobile trommel screens effectively separate a range of materials into different sizes.

Thanks to a solid design and a simple principle of operation, mobile trommel screens are perfectly suited for work with various materials – soil, compost, municipal waste, coal, aggregate, and biomass. The sorting trommel may be made according to customer requirements – round or square holes, different plate thicknesses. Machine dimensions, EU homologation and different drawbar eyes allow transport on public roads without applying for special permits. Wide-opening guards provide quick and easy access to the motor on a rotating frame, ensuring good access to the drive unit, charging hopper, and the hydraulics.



Hydraulically raised and lowered trommel cleaning brush.



Reinforced belt on in-feed hopper conveyor

Replaceable drums with round or square holes and drum thickness according to customer requirements.



Control panel with easy-to-use functions.



Conveyor belt speed control.

Quick and easy drum change



Detachable rear bumper



Hydraulic support legs improve stability of the machine on uneven ground.



Central lubrication system



All Pronar mobile trommel screens have the European homologation up to 100 km/h



The engine and hydraulic system are mounted on a pull-out frame which provides easy access for maintenance.



Pronar offer of mobile drum screens has been supplemented by a tracked version of MPB 20.55. A totally autonomous drive system allows for trouble-free operations without any additional towing machines required. The device may be repositioned at any time thanks to the tracked chasis.



Compact remote for drivetrain and work parameters steering.



Beacon light signals the work/drive mode

Rear conveyor folded by means of two hydraulic cylinders.

Conveyors retract to the outside of the machine - this allowed for lesser height

Crawler track drive allows for free movement of the machine. Two track speeds allow precise adjustment of machine's position for optimum efficiency. Tracks designed by the reputable brand of Keestrack.





PRONAR MPB 20.55 trommel screen at work, screening soil.



PRONAR MPB 18.47 trommel screen sieving waste after biological stabilisation.



Mobile trommel screen MPB 18.47

Air separator for removal of paper and light plastics.



Magnetic roller for removal of ferrous metals may be mounted on rear and side discharge conveyors.



Hydraulic tipping grid for removal of large objects to prevent damage to the trommel drum.



TG T9-2 controller – enables remote control of basic machine functions.
*Optional - possibility to order a 10-button remote controller



Vibrating tipping grid - protects of large pieces of material and cleans automatically





Pronar MPB 18.47 trommel screen at work, screening sawdust and wood waste.



PRONAR MPB 18.47 trommel screen at work, screening waste after biological stabilisation.



TPRONAR MPB 18.47 trommel screen in operation – screening gravel.

Reliable Caterpillar or Deutze engine – thanks to the application of the latest environment-friendly technologies, the engine meets EU Stage 3B emissions standards.

Optional electric motor allows a significant reduction of running costs and noise levels. This is a perfect solution to sites which generate their own electricity.

Cleanfix System – automatically cleans the engine radiator ensuring uninterrupted overheating issues in dusty conditions.

Cleanfix System – automatically cleans the hydraulic oil radiator preventing uninterrupted overheating issues in dusty conditions.

Front hydraulic support legs improve machine stability during operation





MPB 18.47e screening coal



MPB 20.55 screening municipal waste



MPB 20.72 screening wood chips

3-point lighting of working area

Steel side guards

Water and liquid soap tank is available as optional equipment for the machine.

Side guards protection system stops machine when side shields are unauthorized opened

Dolly-type trolley enables to move MPB 20.72 with truck or tractor

Ball coupling enables repositioning of the trommel screen using construction machinery.



MPB 14.44 / 18.47 / 20.55 / 20.72 / 20.55g

MOBILE TROMMEL SCREENS



CHASSIS	MPB 14.44	MPB 18.47	MPB 20.55	MPB 20.72
Gross weight [kg]	11000	12800	16000	24000
Overall dimensions (length/width/height) [mm]	10690/2300/3900	10990/2550/3900	12000/2550/4000	12350/2550/4000
Maximum speed [km/h]	100	100	100	100
Brake system	Pneumatic with EBS	Pneumatic with EBS	Pneumatic with EBS	Pneumatic with EBS
ABS configuration	4S/2M	4S/2M	4S/2M	4S/2M
Brake type	drum brake	drum brake	drum brake	drum brake
Additional power supply to EBS module	yes	yes	yes	yes
Type of mounting attachment	mechanical	mechanical	mechanical	mechanical
Number of wheels	4	4	4	4
Tyre dimensions	435/50 R19.5 (160J)	435/50 R19.5 (160J)	435/50 R19.5 (160J)	435/50 R19.5 (160J)
Axle manufacturer	ATW/ADR	ATW/ADR	ATW/ADR	ATW/ADR
Number of axles:	2	2	2	2
Maximum axle load [kg]	9000	9000	9000	9000
Front support legs	2 mechanical	2 mechanical	2 mechanical	2 mechanical
Rear support legs	1 hydraulic	1 hydraulic	1 hydraulic	1 hydraulic
Road lighting voltage [V]	24 (12)	24 (12)	24 (12)	24 (12)
Type of road lights:	LED	LED	LED	LED
Drawbar eye diameter [mm]	50	50	50	—
Drawbar eye height [mm]	950 (±110)	950 (±110)	950 (±110)	—
Coupling bolt diameter (king pin)	-	-	-	2"
Height of fifth wheel [coupling]	-	-	-	1150
Cutting barriers	yes	yes	yes	yes
Mudguards	steel	steel	steel	steel
Mud flaps	yes	yes	yes	yes
Warning signs	yes	yes	yes	yes
Wheel chocks	yes	yes	yes	yes
Contour markings	yes	yes	yes	yes
Rotating warning beacon	yes	yes	yes	yes
Tool box (1 piece: - 50l)	yes	yes	yes	yes
Water container (30l) with a soap dispenser	—	—	—	yes
Detachable rear bumper	yes	yes	yes	yes
Rear conveyor belt speed control	yes	yes	yes	yes
Side conveyor belt speed control	yes	yes	yes	yes

CHASSIS	MPB 20.55g
Gross [kg]	20000
Overall dimensions (length/width/height) [mm]	10610/2910/3450
Maximum speed [km/h]	1
Track drive	hydraulic
Remote control	12-button remote
Approach Angle (front/rear) [°]	15 / 11,8

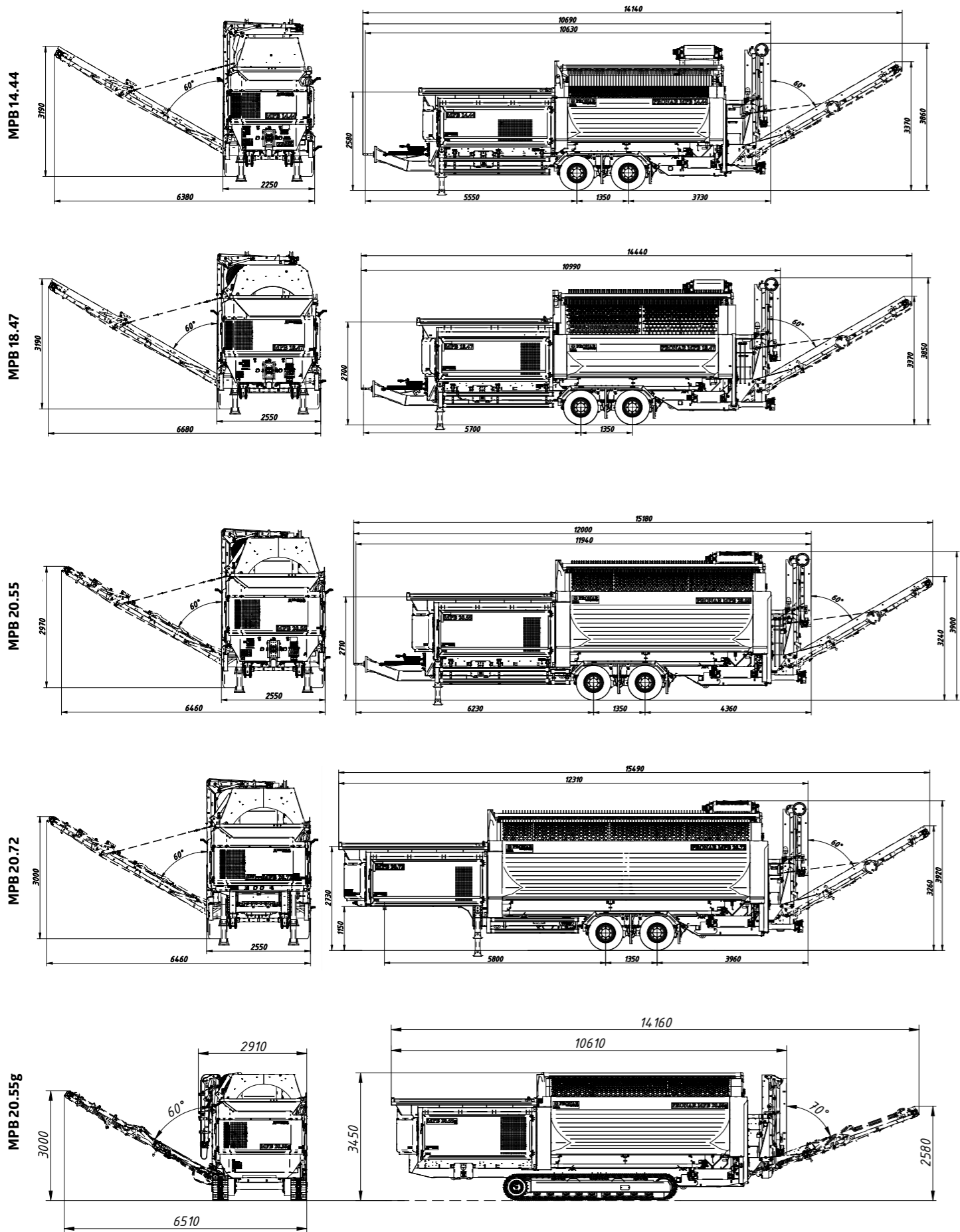
ENGINE VERSIONS AVAILABLE:	MPB 14.44	MPB 18.47	MPB 20.55	MPB 20.72	MPB 20.55g
	Caterpillar combustion engine (EU norm 3A, 2,2 l - 32 kW/2200rpm)	Caterpillar combustion engine (EU norm 3B, 3,4 l - 55,4 kW/2200 rpm)	Caterpillar combustion engine (EU norm 3B, 4,4 l - 72 kW/1600 rpm)	Caterpillar combustion engine (EU Stage 3B, 4,4 l - 87,0 kW / 1600 rpm)	Caterpillar combustion engine (EU norm 3B, 4,4 l - 72 kW/1600 rpm)
	Deutz combustion engine (EU norm 3A, 2,9 l - 32 kW/2200 rpm)	Deutz combustion engine (EU norm 3B, 2,9 l - 55,4 kW/2200 rpm)	Deutz combustion engine (EU norm 3B, 3,6 l - 68 kW/1600 rpm)	Deutz combustion engine (EU Stage 3B, 3,6 l - 82 kW / 1800 rpm)	Deutz combustion engine (EU norm 3B, 3,6 l - 68 kW/1600 rpm)
	Electric motor	Electric motor	Electric motor	Electric motor	-

MATERIAL TRANSPORT	MPB 14.44	MPB 18.47	MPB 20.55	MPB 20.72	MPB 20.55g
Trommel dimensions (length/width) [mm]	4400/1400	4700/1800	5500/2000	7200/2000	5500/2000
Trommel rotational speed [rpm]	up to 23	up to 23	up to 19	up to 19	up to 19
Effective sieve surface [m²]	16,2	22,1	29,8	40,6	29,8
In-Feed hopper dimensions (length/width) [mm]	3560/1850	3560/2120	3900/2230	3900/2230	3900/2230
Loading height [mm]	2600	2700	2710	2730	2710
In-Feed hopper capacity [m³]	3	5	5	6	5
Dimensions of exterior side conveyor (length/width) [mm]	5150/800	5150/800	4900/1000	4900/1000	4900/1000
Dimensions of exterior rear conveyor (length/width) [mm]	5150/800	5150/800	4900/1000	4900/1000	4900/1000
Width of interior longitudinal conveyor [mm]	1000	1300	1300	1300	1300
Width of interior transverse conveyor [mm]	600	600	800	800	800
Control voltage [V]	12	12	12	12	12
Central lubrication system	yes	yes	yes	yes	yes
Rear conveyor belt speed regulation	yes	yes	yes	yes	yes
Side conveyor belt speed regulation	yes	yes	yes	yes	yes

OPTIONAL ADDITIONAL EQUIPMENT:	MPB 14.44	MPB 18.47	MPB 20.55	MPB 20.72	MPB 20.55g
Magnetic Roller a	+	+	+	+	+
Magnetic Roller b	+	+	+	+	+
Air separator	-	+	+	+	+
Stone Grid above charging hopper	+	+	+	+	+
Chute near In-Feed hopper	+	+	+	+	+
Side conveyor cleaning brush	+	+	+	+	-
Rear conveyor high guards	+	+	+	+	-
Rear conveyor 3m	+	+	+	+	+
Side conveyor 3m	-	-	+	+	+
Side conveyor 3m - left side	-	-	+	+	-
Ball attachment	+	+	+	-	n.a
Hydraulically controlled front support legs	+	+	+	-	n.a
Screen hole size	according to customer's requirements				
Sieve wall thickness	according to customer's requirements				
Drawbar eye diameter ø40	+	+	-	-	n.a
Drawbar eye diameter ø57 (Swedish standard)	+	+	+	-	n.a
Side security guards	+	+	+	+	+
Cleanfix for motor cooler	+	+	+	+	+
Cleanfix for hydraulic oil system cooler	+	+	+	+	+
In-Feed hopper load/pressure sensor	+	+	+	+	+
Water container (30l) with a soap dispenser	+	+	+	-	+
Work area light system (3 points)	+	+	+	+	+
Steel bike catchers	+	+	+	-	n.a
Additional hydraulic pumps (20 l/min, 40 l/min)	-	+	+	+	+



Mobile trommel SCREEN 20.55



Pronar MPB Trommel drums may be easily changed to suit material screening requirements. Pronar also produces screen drums compatible with other manufacturers' machines.

Depending on the screened material: soil, compost, municipal waste, aggregate, biomass; different types of perforation are available, shapes include round or square, any size hole available.

There are 4 standard drum versions available:

- length 4,4 m & diameter 1,4 m
- length 4,7 m & diameter 1,8 m
- length 5,5 m & diameter 2 m
- length 7,2 m & diameter 2 m

There are 3 standard wall size versions:

6 mm, 8 mm and 10 mm.

Hole size, regardless of its shape, could be from 10 to 100 mm.

Upon client's request, we are able to manufacture a drum of non-standard holes.

Drum length [mm]	Drum diameter [mm]	Wall thickness [mm]	Perforation shape
4400	1400	6/8/10/	square/round
4700	1800	6/8/10/	square/round
5500	2000	6/8/10/	square/round
7200	2000	6/8/10/	square/round

Different types of perforation "K" - square



Different types of perforation "O" - round

Optional knives for trommels for tearing refuse bags



sieve perforation <10mm available - special mesh drum



MOBILE SLOW-SPEED SHREDDER
MRW 2.85 / 2.1010

Pronar MRW 2.85 Mobile Slow-speed Shredder is a universal device for processing various materials: municipal solid waste, construction and demolition debris, tree stumps and many others. An important advantage of the machine is mobility. The machine can be moved by truck or construction vehicles. The shredder is equipped with Diesel engine with the power of 298 kW. Shredding is performed by two synchronized shafts located in the main chamber. Thanks to modern software and a wide range of shafts available, various types of materials can be processed.



Fuel tanks with total capacity of 700l

Machine operating mode status indicator - for status check and security warnings

Remote control for basic machine operating functions and security warnings



Thanks to remote control a hydraulically raised chute increases machine output and operator's work comfort.



MRW 2.1010

Engine cleanfix system - automatically cleans the engine radiator ensuring uninterrupted overheating issues in dusty conditions.

Hydraulic oil radiator cleanfix system for optimal and uninterrupted operations.

European road homologation for transport up to 100km/h

Central control panel with touchscreen

Central lubrication system

Hydraulic support legs improve machine stability during operation.

Conveyor belt speed rate adjustment





MRW 2.85 together with MPB 18.47 in a tree stumps processing line



MRW 2.85



MRW 2.85 and MPB 18.47

Magnetic separator for extraction of ferromagnetic materials.



Ball coupling enables repositioning of the shredder using construction machinery.



Working area additional **lighting**



Different types of **shredding shafts** available



MOBILE SLOW-SPEED SHREDDER
MRW 2.85 / 2.1010



CHASSIS:	MRW 2.85
Total weight:	~ 24000 [kg]
Dimension (length/width/height)	8850x2550x4000 [mm]
Max speed	100 [km/h]
Brake system	Pneumatic with EBS
ABS configuration	4S/2M
Brake type	Drum
Additional Power supply to EBS system	Yes
Type of attachment mechanism	Machanical
Number of wheels	6
Tyre dimensions	435/50 R19,5 (160J)
Axle manufacturer	ATW / ADR
Number of axles	3
Max axle load	9000 [kg]
Front support legs	1 [pcs]
Rear support legs	2 [pcs]
Road light voltage	24 (12) [V]
Type of Road lights	LED
Drawbar eye diameter	50 [mm]
Drawbar height from ground (adjustable)	950 (± 110) [mm]
Mud flaps	Yes
Wheel chocks	Yes
Contour markings	Yes
Beacon light	Yes
Toolbox	Yes
Rear removable bar	Yes
Marking plates	Yes

CHASSIS	MRW 2.1010
Total weight [kg]	~40000
Dimension (length/width/height) [mm]	9500/3000/3200
Max. speed [km/h]	1
Track drive	hydraulic
Remote control	12-button remote
Approach Angle (front/rear) [°]	21 / 14

DRIVE:	MRW 2.85	MRW 2.1010
Diesel engine	Caterpillar	Volvo Penta
Emission category	EU Stage 4	EU Stage 2
Max power / rpm	298 / 2200 [kW/rpm]	565 / 1850 [kW/rpm]
Number of cylinders	6	6
Displacement	9,3 [l]	16,1 [l]
Fuel tank capacity	700 [l]	1200 [l]
Cleanfix system for engine cooling system	Yes	Yes
Cleanfix system for hydraulic oil cooler	Yes	Yes
3-point lighting of working areas	Yes	Yes

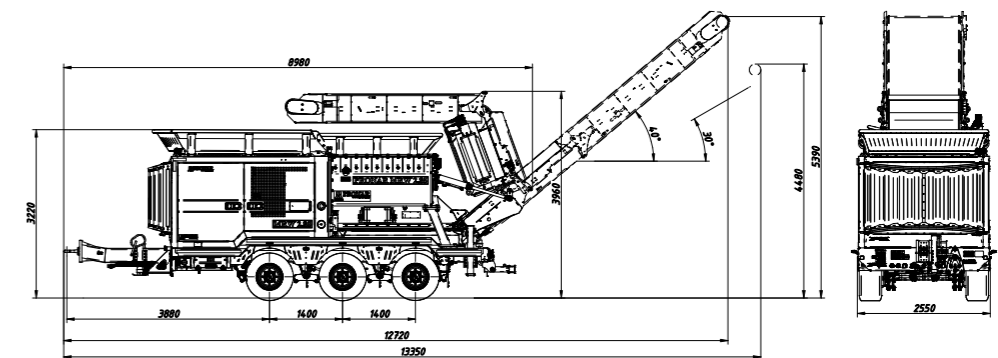
ADDITIONAL EQUIPMENT:	MRW 2.85	MRW 2.1010
Bar between shafts	+	+
Magnetic separator	+	+
Working chamber additional covers	+	+
Ball coupling	+	n.a
Drawbar eye: ø57	+	n.a
Shafts according to customer requirements	+	+

SHREDDING SYSTEM:	MRW 2.85	MRW 2.1010
Dimension of working shafts (length/diameter)	1700 / 685 [mm]	2440 / 850 [mm]
Shaft speed	max. 44 [rpm/min]	do 34 [rpm/min]
Number of shafts	2 [m ²]	2 [m ²]
Work chamber dimension (length/width)	1720 / 2340 [mm]	2440 / 2880 [mm]
Loading height	3150* [mm]	3200 [mm]
Hopper capacity	~ 3,0 [m ³]	~ 4,5 [m ³]
Transport belt width	1400 [mm]	1400 [mm]
Control voltage	24 [V]	24 [V]
Central lubrication system	Yes	Yes
Belt speed regulation	Yes	Yes
Operation signal lights	Yes	Yes
Hydraulically lifted loading hopper	Yes	Yes
Loading hopper and shafts made of wear-resistant steel	Yes	Yes
Remote control	Yes	Yes

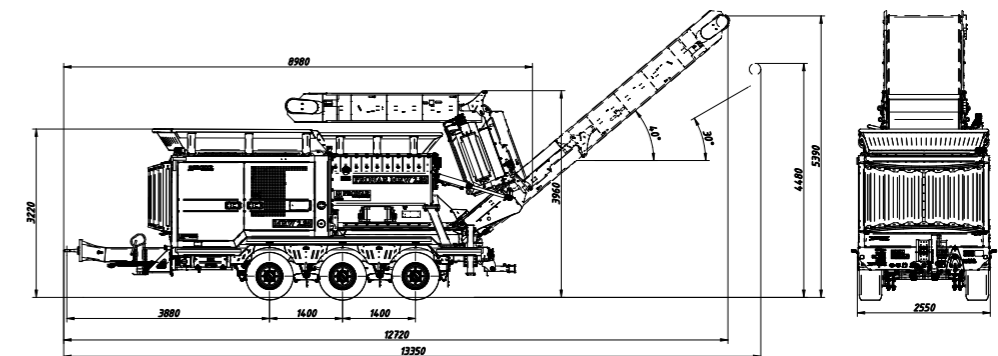
Advantages:

- * Remote control as a standard
- * Shredding chamber inspection doors on both sides
- * Breaking bar between shafts
- * User friendly control panel
- * Shaft automatic self-cleaning system
- * Cleanfix sytem for engine radiator and hydraulic oil cooler
- * High efficiency
- * Shredding chamber made from top -quality materials

MRW 2.85



MRW 2.1010








Factory in Siemiatycze - assembly of PRONAR Mobile Trommel Screens.

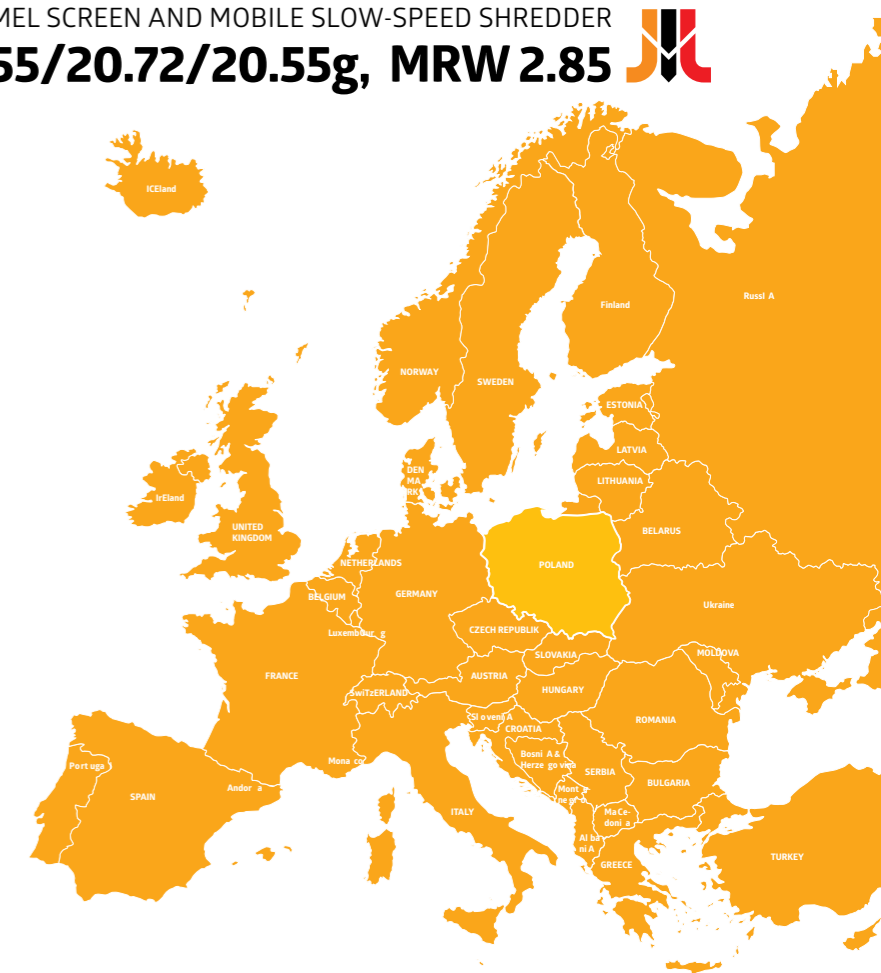
MOBILE TROMMEL SCREEN AND MOBILE SLOW-SPEED SHREDDER
MPB 14.44/18.47/20.55/20.72/20.55g, MRW 2.85 

Pronar sp. z o.o. provides its clients with direct access to technical sales consultants.

 **Sylwester Kundzicz**
 Mob: +48 506 049 403
 e-mail: sylwester.kundzicz@pronar.pl

 **Radek Puciaty**
 Mob: +48 519 625 726
 E-mail: radoslaw.puciaty@pronar.pl

 **Bartosz Tomczak**
 Mob: +48 505 699 401
 E-mail: bartosz.tomczak@pronar.pl



Mobile slow-speed shredder MRW 2.85



Mobile Trommel Screen MPB 20.55g



Mobile Trommel Screen MPB 20.72



Mobile Trommel Screen MPB 20.55



Mobile Trommel Screen MPB 18.47



Mobile Trommel Screen MPB 14.44



Factory in Siemiatycze - assembly of PRONAR Mobile Trommel Screens.



Laser cutting process.



Motor mounting.



Welding process.



Painting process.



Round drum segments rolling



Paint application



Strength tests of rear lighting beam



Installation of screening drum



Factory in Siemiatycze - assembly of PRONAR Mobile Trommel Screens.



Narew production facility nr 1



Narew production facility nr 2



Narew production facility nr 3



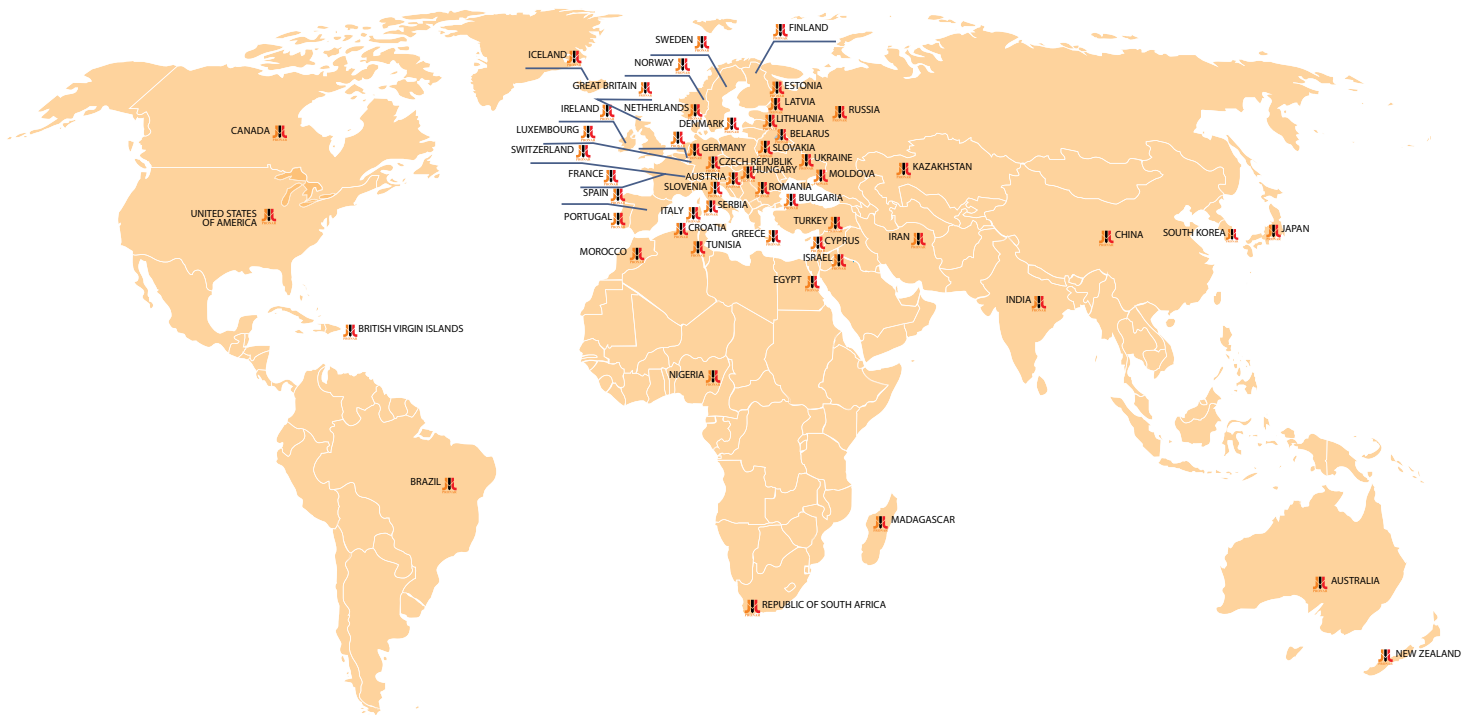
Narewka production facility



Strabla production facility



Siemiatycze production facility



PRONAR Sp. z o.o.
17-210 Narew, Poland
ul. Mickiewicza 101A

tel.: +48 85 682 72 16
+48 85 682 72 65
fax: +48 85 682 71 91

municipal.export@pronar.pl
www.pronar.pl

Technology for nature