

RECYCLING EQUIPMENT RANGE

MOBILE TROMMEL SCREENS

MPB 14.44, MPB 18.47, MPB 20.55, MPB 20.72,
MPB 18.47g, MPB 20.55g, MPB 20.55gh

MOBILE SLOW-SPEED SHREDDERS

MRW 2.85, MRW 2.85g, MRW 2.85h, MRW 2.1010



RECYCLING EQUIPMENT RANGE

MOBILE TROMMEL SCREENS 04

MPB 14.44, MPB 18.47, MPB 20.55, MPB 20.72

MPB 18.47g, MPB 20.55g, MPB 20.55gh

DRUMS 21

MOBILE SLOW-SPEED SHREDDERS 22

MRW 2.85, MRW 2.85g, MRW 2.85h, 2.1010

Gold Medal MTP 2014
Mobile Trommel Screen MPB 18.47



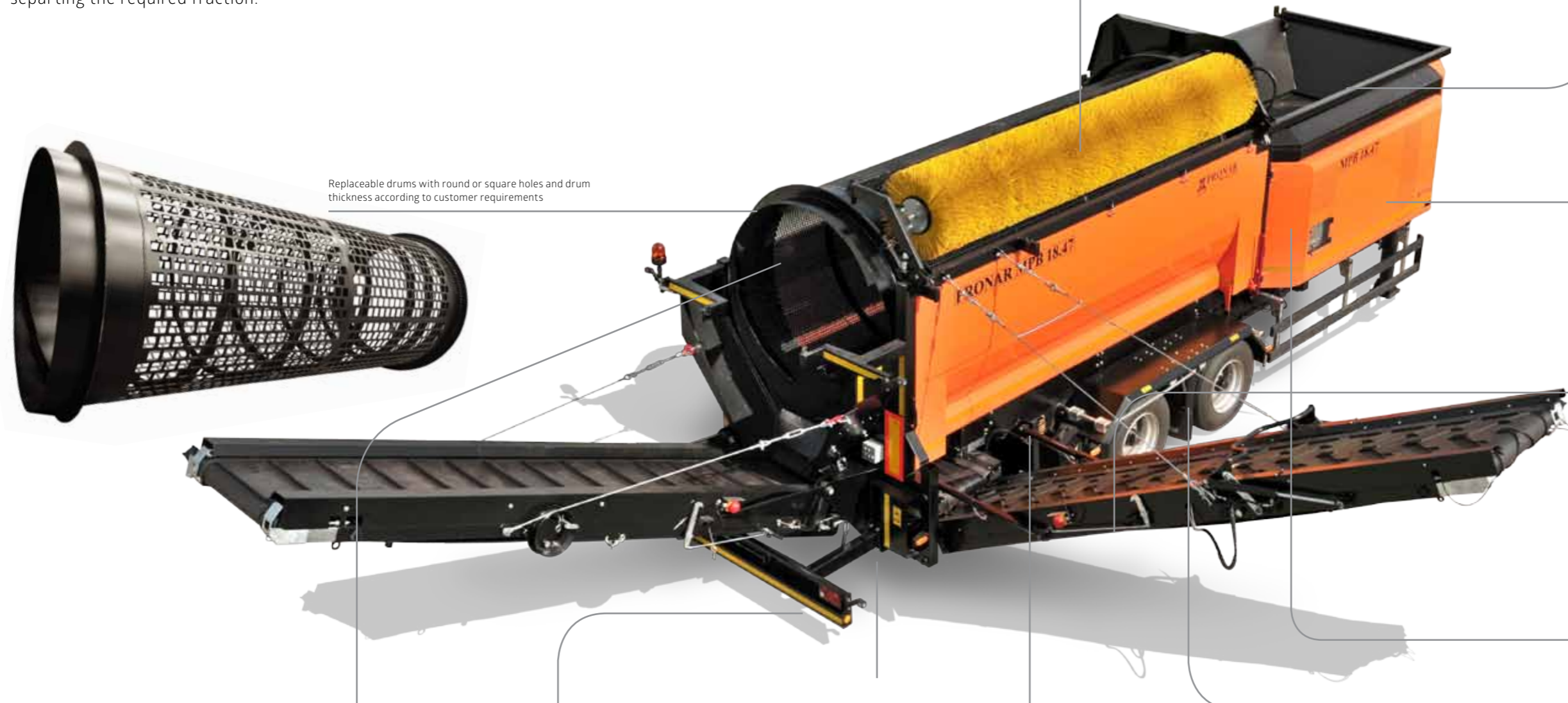
Gold Medal MTP 2016
Mobile Slow-speed Shredder MRW 2.1010





Mobile trommel screens are used for effective material separating into different size fractions.

Thanks to solid construction and simple principle of operation mobile trommel screens are perfectly suited for work with many different materials - municipal waste, wood waste and chips, compost, biomass, coal, soil, gravel, aggregates etc. Four available sizes allow to fit machine according to the task. Replacable drums can be made according to customers needs - thickness adequate to- the material and hole size for separating the required fraction.



Hydraulically raised and lowered trommel cleaning brush



Sealing in the hopper prevents material from leaking to the inside of the machine

Replaceable drums with round or square holes and drum thickness according to customer requirements



Control panel with easy-to-use functions



Belt speed adjustment - adjusts the speed to the type of screened material to maximize the performance. It also allows to stack more material of each fraction without the need of re-locating the machine

Quick and easy drum change



Detachable rear bumper



Hydraulic support legs improve machine stability on uneven ground



Central lubrication system ensures good greasing of the most important parts of the machine. Two sizes available



Homologation allows for moving screener on roads (up to 100km/h)



The engine and hydraulic system are mounted on a pull-out frame which provides easy access for maintenance





Pronar offer of mobile trommel screens is complemented with tracks version models.

A totally autonomous drive system allows for trouble-free operations without additional towing machines required. The screens may be repositioned at any time thanks to the tracked chassis and can be used in hard to reach areas.



Remote control



Tracks pads prevent floor scratching



Hydraulic system for adjusting chassis position in MPB 20.55gh. The mechanism allows leveling machine on longitudinal slopes and increases the clearance for easier moving on uneven terrain



Tracked chassis for moving the machine without any additional towing vehicles

Rear conveyor folded by means of two hydraulic cylinders



Beacon light signalises work/drive mode



Conveyors retract to the outside of the machine - this allowed for lesser height





MPB 20.55 - soil



MPB 18.47 - biologically stabilized waste



MPB 18.47 - coal

Air separator perfectly separates light materials from larger fraction - additional recovery of secondary raw materials such as foil or paper

Magnetic roller for ferrous meals may be mounted on rear and side discharge conveyors

Hydraulic tipping grid for removing large objects - prevents damage to the trommel drum. Used for debris, gravel and stones

Remote controls for basic machine functions. Especially useful when using hopper tipping grid. Loader operator can remove the accumulated material directly from his cabin. Remotes also have the emergency stop button. (available 6- and 10-button versions)

Ribbed belt - special construction prevents slipping of the hopper belt when screening high-density materials i.e. gravel **Electric pump** for easy refuelling





MPB 18.47 – sawdust and wood waste



MPB 18.47 – gravel



MPB 18.47 - biologically stabilized waste

Reliable Caterpillar or Deutz engines – thanks to the application of the latest environment-friendly technologies, the engine meets emissions standards latest

Optional electric motor allows a significant reduction of running costs and noise levels

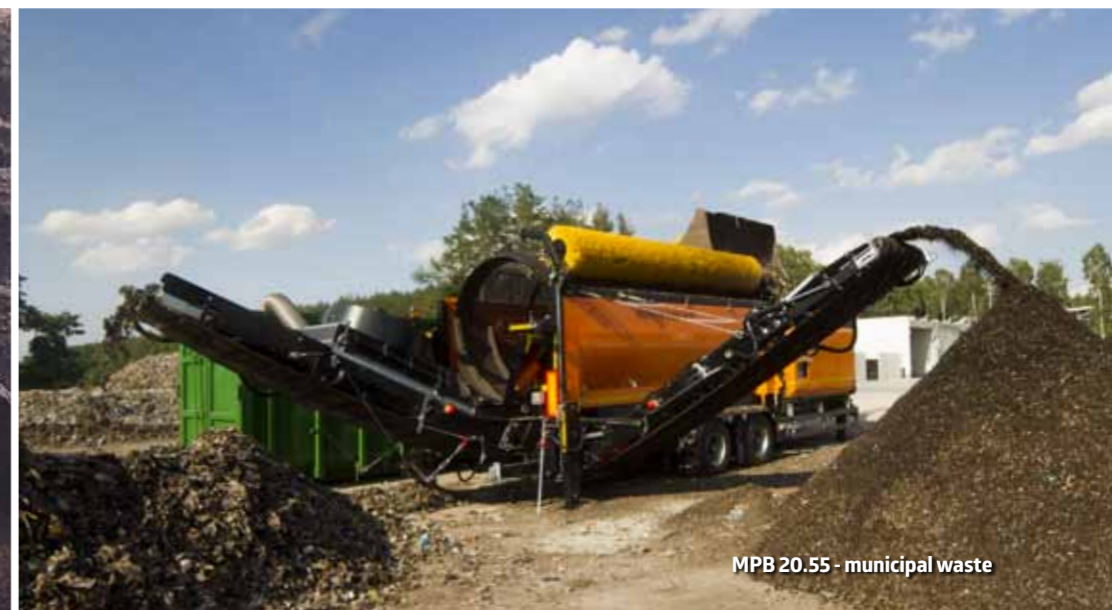
Cleanfix systems - automatically clean engine and hydraulic system oil radiators

Hydraulic legs opened from main control or hand pump





MPB 18.47e - coal



MPB 20.55 - municipal waste



MPB 20.72 - wood chips

Additional 3 point lighting system of the working area increases safety near the screener

Steel side guards are more durable and resistant for impacts

Water and liquid soap tank available as optional equipment

Side-guards protection system stops the machine when side shields are opened by unauthorized personnel

Dolly-type trolley for moving MPB 20.72 with truck or tractor

Ball coupling enables repositioning of the trommel screen using construction machinery





MPB 14.44 / 18.47 / 20.55 / 20.72 / 18.47g / 20.55g / 20.55gh

CHASSIS	MPB 14.44	MPB 18.47	MPB 20.55	MPB 20.72
Gross weight [kg]	11000	12800	16000	24000
Overall dimensions (length/width/height) [mm]	10690/2300/3900	10990/2550/3900	12000/2550/4000	12350/2550/4000
Maximum speed [km/h]	100	100	100	100
Brake system	Pneumatic with EBS	Pneumatic with EBS	Pneumatic with EBS	Pneumatic with EBS
ABS configuration	4S/2M	4S/2M	4S/2M	4S/2M
Brake type	drum brake	drum brake	drum brake	drum brake
Additional power supply to EBS module	+	+	+	+
Type of mounting attachment	mechanical	mechanical	mechanical	mechanical
Number of wheels	4	4	4	4
Tyre dimensions	435/50 R19.5 (160J)	435/50 R19.5 (160J)	435/50 R19.5 (160J)	435/50 R19.5 (160J)
Axle manufacturer	ATW/ADR	ATW/ADR	ATW/ADR	ATW/ADR
Number of axles:	2	2	2	2
Maximum axle load [kg]	9000	9000	9000	9000
Front support legs	2 mechanical	2 mechanical	2 mechanical	2 mechanical
Rear support legs	1 hydraulic	1 hydraulic	1 hydraulic	1 hydraulic
Road lighting voltage [V]	24 (12)	24 (12)	24 (12)	24 (12)
Type of road lights:	LED	LED	LED	LED
Drawbar eye diameter [mm]	50	50	50	-
Drawbar eye height [mm]	950 (±110)	950 (±110)	950 (±110)	-
Coupling bolt diameter (king pin)	-	-	-	2"
Height of king pin coupling	-	-	-	1150
Cutting barriers	+	+	+	+
Mudguards	steel	steel	steel	steel
Mud flaps	+	+	+	+
Warning signs	+	+	+	+
Wheel chocks	+	+	+	+
Contour markings	+	+	+	+
Rotating warning beacon	+	+	+	+
Tool box (1 piece: - 50l)	+	+	+	+
Water container (30l) with a soap dispenser	-	-	-	+
Detachable rear bumper	+	+	+	+
Rear conveyor belt speed control	+	+	+	+
Side conveyor belt speed control	+	+	+	+

TRACKED CHASSIS	MPB 18.47g	MPB 20.55g	MPB 20.55gh
Gross [kg]	15300	20000	20840
Overall dimensions (length/width/height) [mm]	9530/2900/3450	10610/2910/3450	11620/3100/3500
Maximum speed [km/h]	1	1	1

MPB 14.44	MPB 18.47	MPB 20.55	MPB 20.72	MPB 18.47g	MPB 20.55g	MPB 20.55gh
Caterpillar (EU Stage 3A, 2.2 l - 32 kW (44 HP) / 2200 rpm)	Caterpillar (EU Stage 3B, 3.4 l - 55.4 kW (75 HP) / 2200 rpm)	Caterpillar (EU Stage 3B, 4.4 l - 72 kW (98 HP) / 1600 rpm)	Caterpillar (EU Stage 3B, 4.4 l - 87 kW (118 HP) / 1600 rpm)	Caterpillar (EU Stage 3B, 3.4 l - 55.4 kW (75 HP) / 2200 rpm)	Caterpillar (EU Stage 3B, 4.4 l - 72 kW (98 HP) / 1600 rpm)	Caterpillar (EU Stage 3B, 4.4 l - 72 kW (98 HP) / 1600 rpm)
Deutz (EU Stage 3A, 2.9 l - 32 kW (44 KM) / 2200 rpm)	Deutz (EU Stage 3B, 2.9 l - 55.4 kW (75 HP) / 2200 rpm)	Deutz (EU Stage 3B, 3.6 l - 68 kW (92 HP) / 1600 rpm)	Deutz (EU Stage 3B, 3.6 l - 82 kW (112 HP) / 1800 rpm)	Deutz (EU Stage 3B, 2.9 l - 55.4 kW (75 HP) / 2200 rpm)	Deutz (EU Stage 3B, 3.6 l - 68 kW (92 HP) / 1600 rpm)	Deutz (EU Stage 3B, 3.6 l - 68 kW (92 HP) / 1600 rpm)
-	-	Deutz (EU Stage 4, 3.6 l - 90 kW (122 KM) / 2000 obr/min)	Deutz (EU Stage 4, 3.6 l - 90 kW (122 KM) / 2000 obr/min)	-	Deutz (EU Stage 4, 3.6 l - 90 kW (122 KM) / 2000 obr/min)	Deutz (EU Stage 4, 3.6 l - 90 kW (122 KM) / 2000 obr/min)
-	Electric engine 30-45 kW (41-61 HP)	Electric engine 55 kW (75 HP)	Electric engine 55 kW (75 HP)	-	-	-

MATERIAL TRANSPORT	MPB 14.44	MPB 18.47	MPB 20.55	MPB 20.72	MPB 18.47g	MPB 20.55g	MPB 20.55gh
Trommel dimensions (length/width) [mm]	4400/1400	4700/1800	5500/2000	7200 / 2000	4700/1800	5500/2000	5500/2000
Trommel rotational speed [rpm]	23	23	19	19	23	19	19
Effective sieve surface [m²]	16	22,1	29,8	40,6	22,1	29,8	29,8
In-feed hopper dimensions (length/width) [mm]	3560/ 1850	3560 / 2120	3900 /2230	3900/ 2230	3560 / 2120	3900 / 2230	3900 / 2230
Loading height [mm]	2600	2800	2850	2730	2660	2700	2700
In-feed hopper capacity [m³]	3,3	5	6	6	5	6	6
Dimensions of exterior side conveyor (length/width) [mm]	5200/800	5200/800	4900/1000	4900 / 1000	5200/800	4900/1000	6000/1000
Dimensions of exterior rear conveyor (length/width) [mm]	5200/800	5200/800	4900/1000	4900 / 1000	5200/800	4900/1000	6000/1000
Width of interior longitudinal conveyor [mm]	1000	1300	1300	1300	1300	1300	1300
Width of interior transverse conveyor [mm]	600	600	800	800	600	800	800
Control voltage [V]	12	12	12	12	12	12	12
Central lubrication system	+	+	+	+	+	+	+
Rear conveyor belt speed regulation	+	+	+	+	+	+	+
Side conveyor belt speed regulation	+	+	+	+	+	+	+

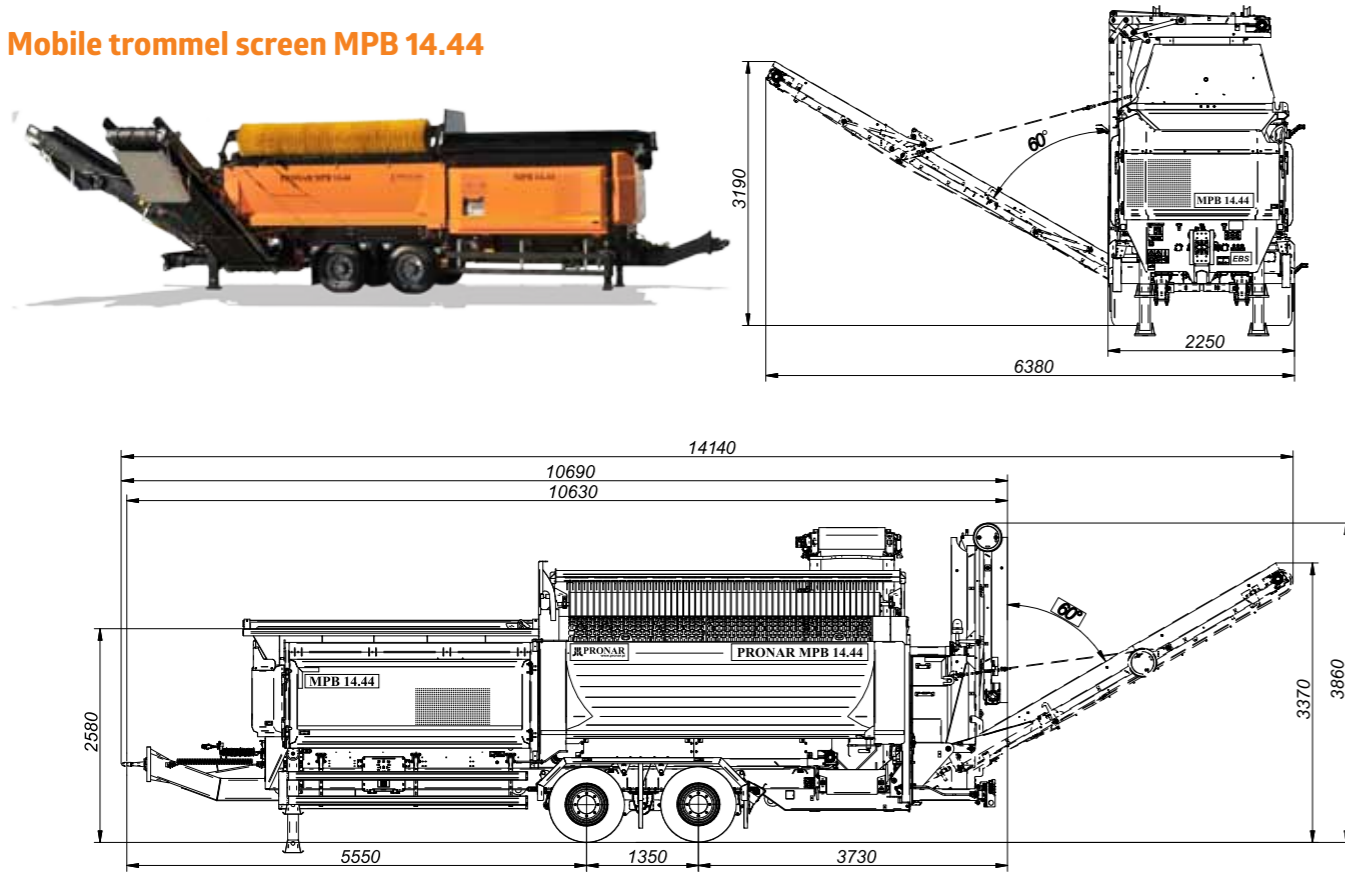
ADDITIONAL AND OPTIONAL EQUIPMENT	MPB 14.44	MPB 18.47	MPB 20.55	MPB 20.72	MPB 18.47g	MPB 20.55g	MPB 20.55gh
Magnetic Roller - rear conveyor	+	+	+	+	+	+	+
Magnetic Roller - side conveyor	+	+	+	+	+	+	+
Air separator	-	+	+	+	+	+	-
Stone Grid above charging hopper	+	+	+	+	+	+	+
Chute near In-Feed hopper	+	+	+	+	+	+	+
Side conveyor cleaning brush	+	+	+	+	-	-	-
Rear conveyor high guards	+	+	+	+	-	-	-
Rear conveyor 3m	+	+	+	+	+	+	-
Side conveyor 3m - left side	-	-	+	+	-	-	-
Side conveyor 3m	-	-	+	+	+	+	-
Ball attachment	+	+	+	-	n.a	n.a	n.a
Hydraulically controlled front support legs	+	+	+	-	n.a	n.a	n.a
Screen hole size	according to customer's requirements						
Sieve wall thickness	according to customer's requirements						
Drawbar eye diameter ø40	+	+	-	-	n.a	n.a	n.a
Drawbar eye diameter ø57 (Swedish standard)	+	+	+	-	n.a	n.a	n.a
Side security guards	+	+	+	+	+	+	+
Cleanfix for motor cooler	+	+	+	+	+	+	+
Cleanfix for hydraulic oil cooler	+	+	+	+	+	+	+
In-Feed hopper load/pressure sensor	+	+	+	+	+	+	+
Water container (30l) with a soap dispenser	+	+	+	-	+	+	+
Work area light system (3 points)	+	+	+	+	+	+	+
Steel bike catchers	+	+	+	-	n.a	n.a	n.a
Additional hydraulic pumps (20 l/min, 40 l/min)	-	-	+	+	+	+	+



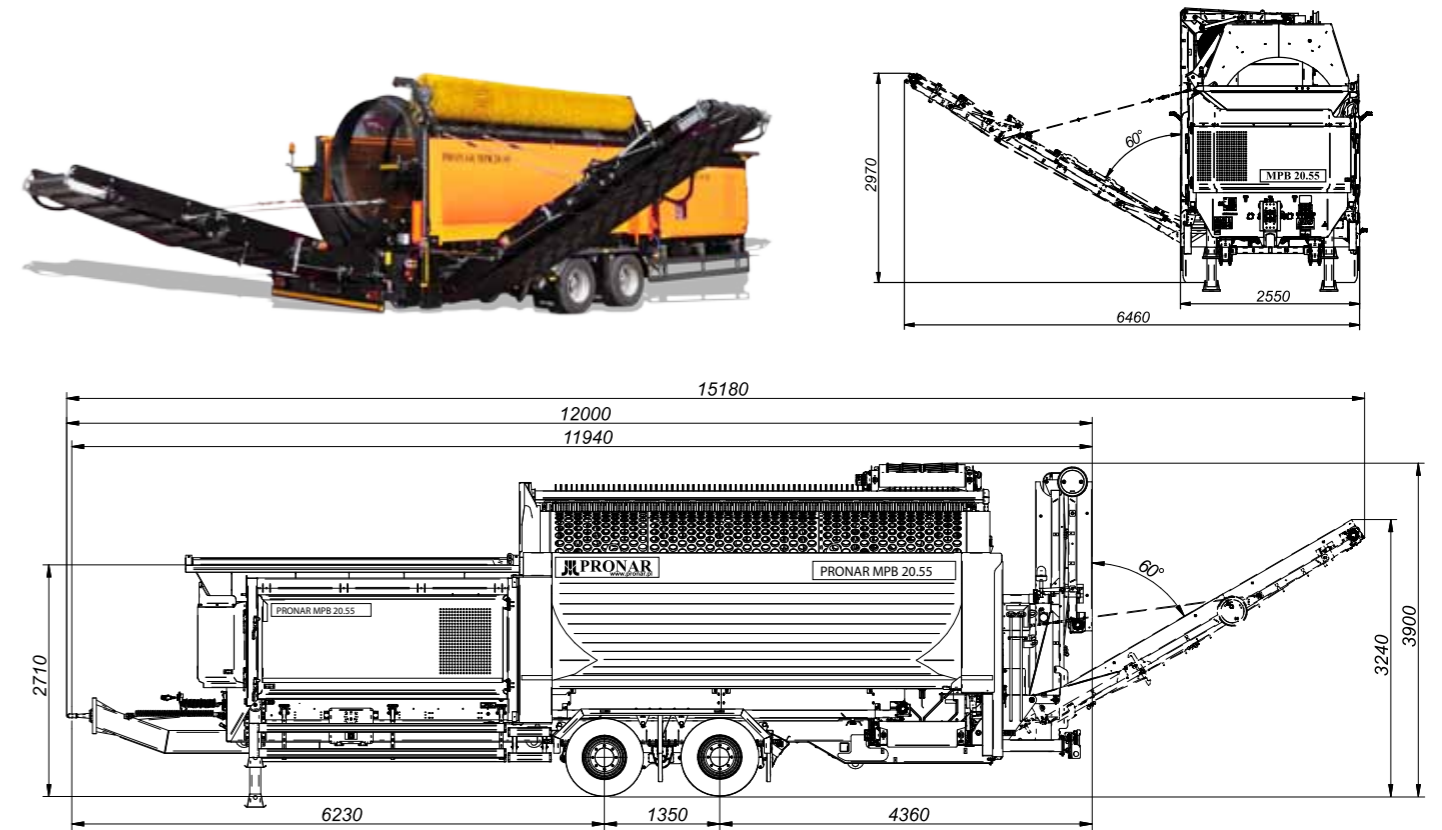
MPB 20.55gh - wood chips



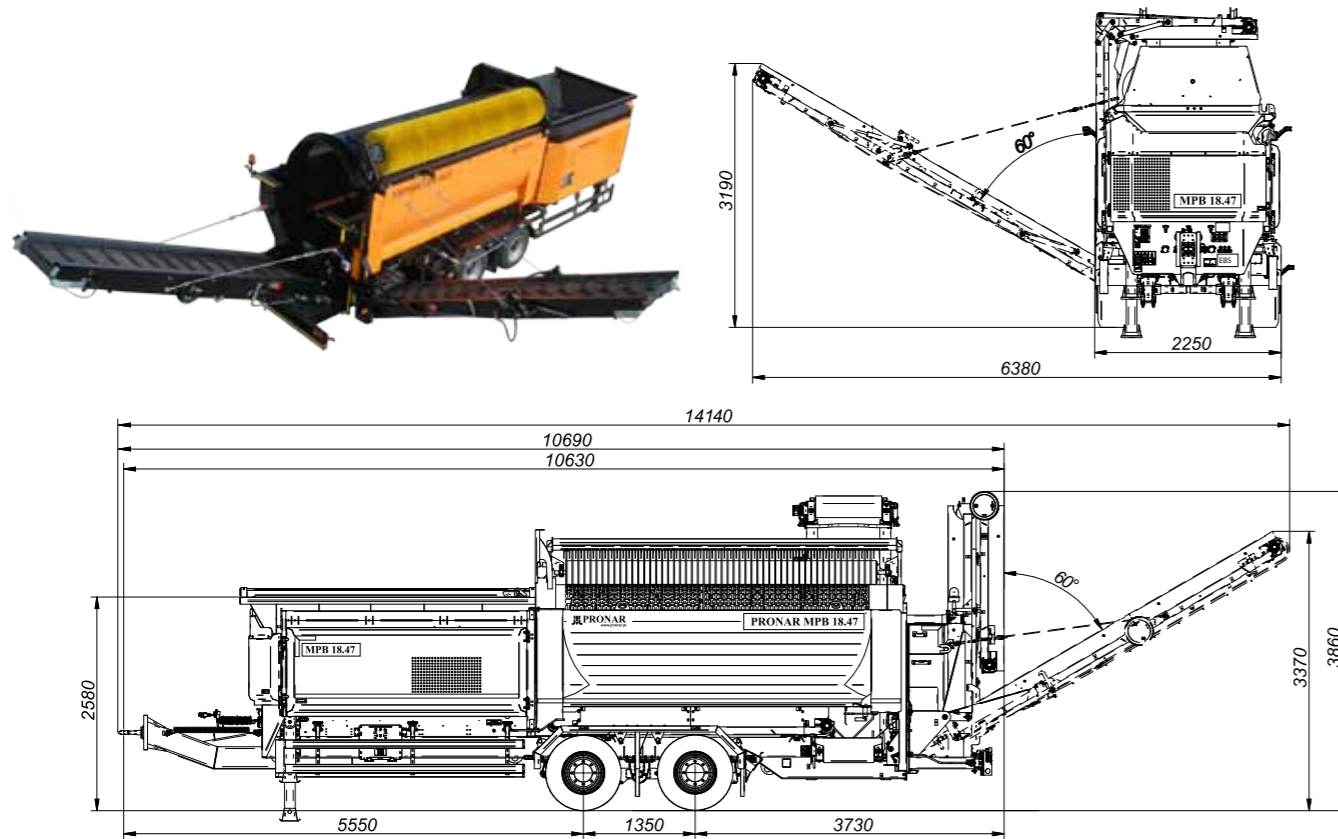
Mobile trommel screen MPB 14.44



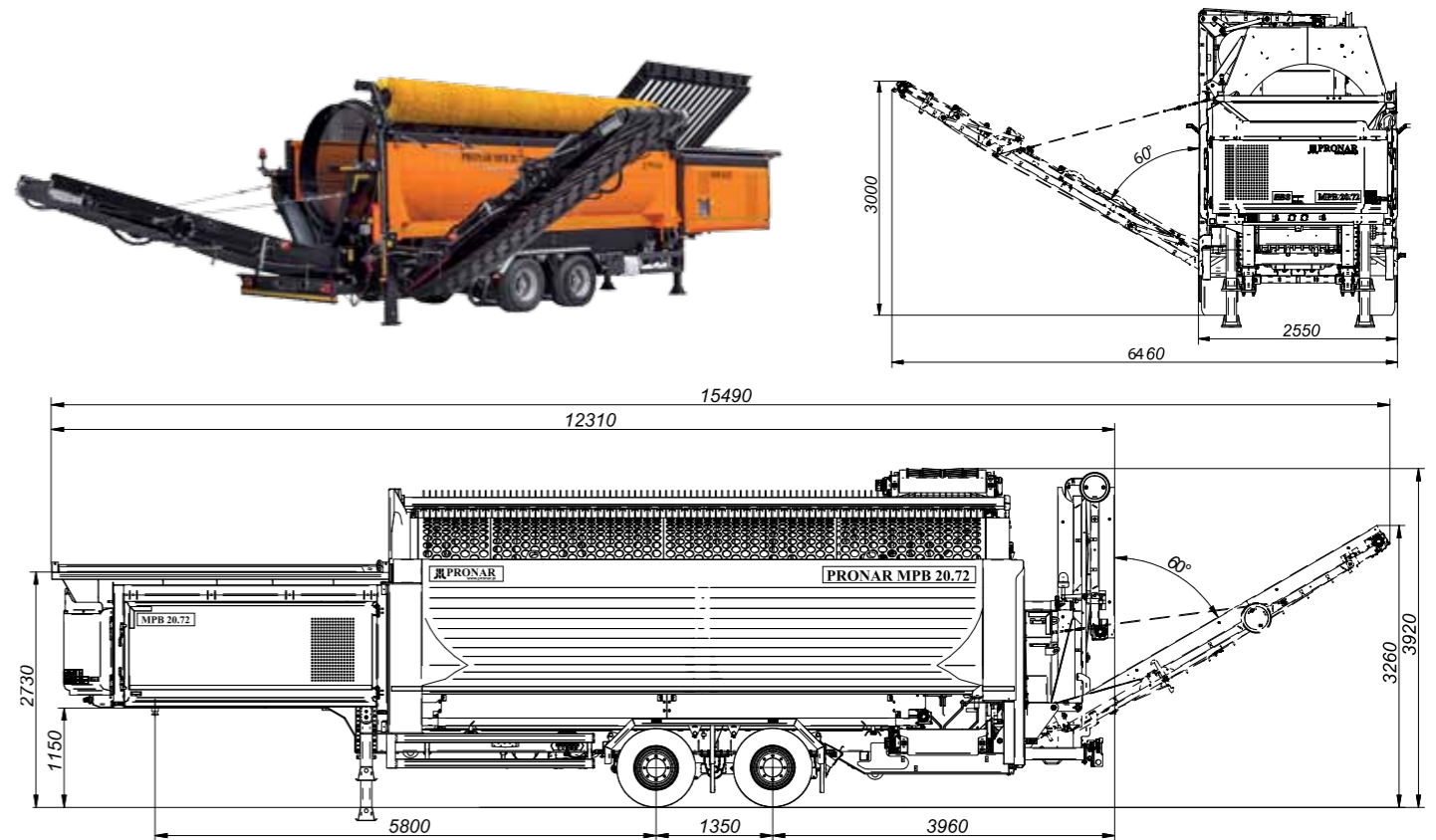
Mobile trommel screen MPB 20.55



Mobile trommel screen MPB 18.47

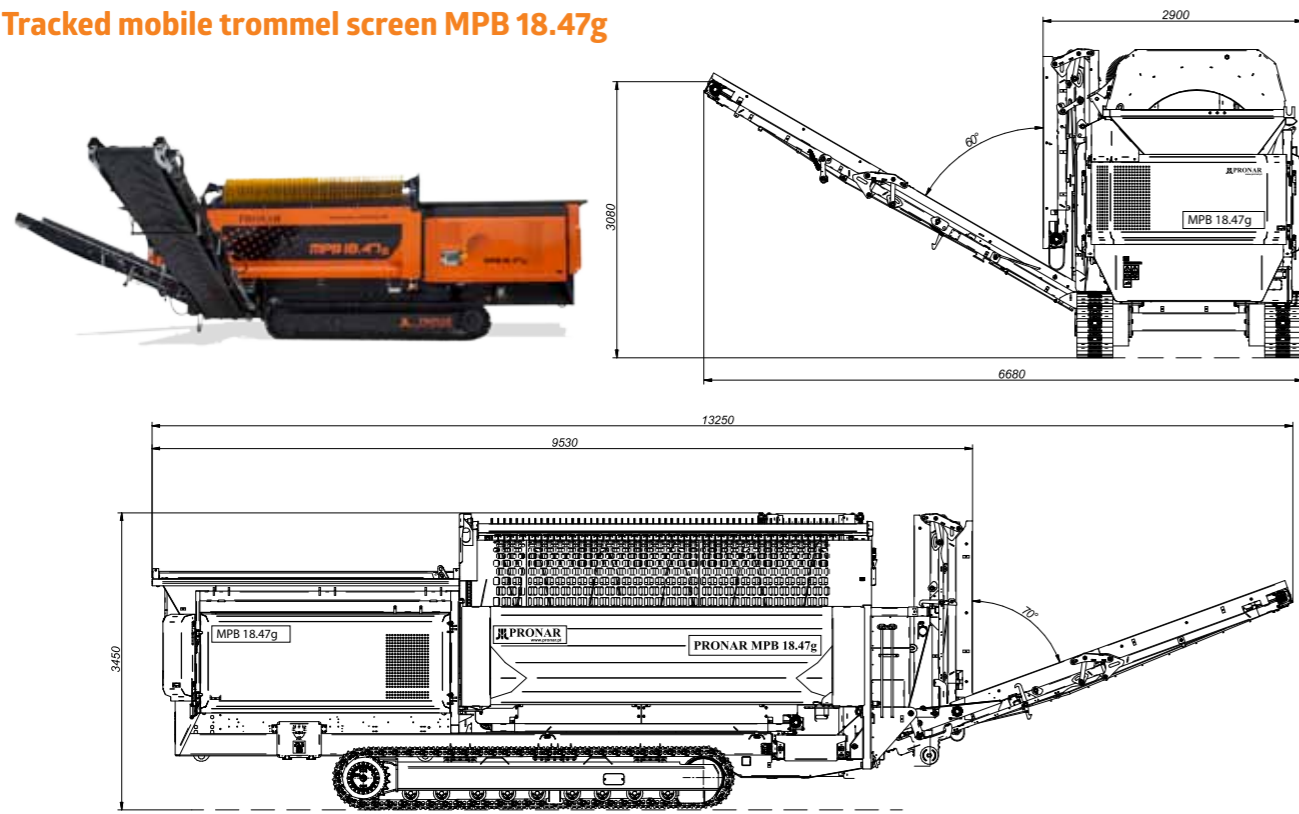


Mobile trommel screen MPB 20.72

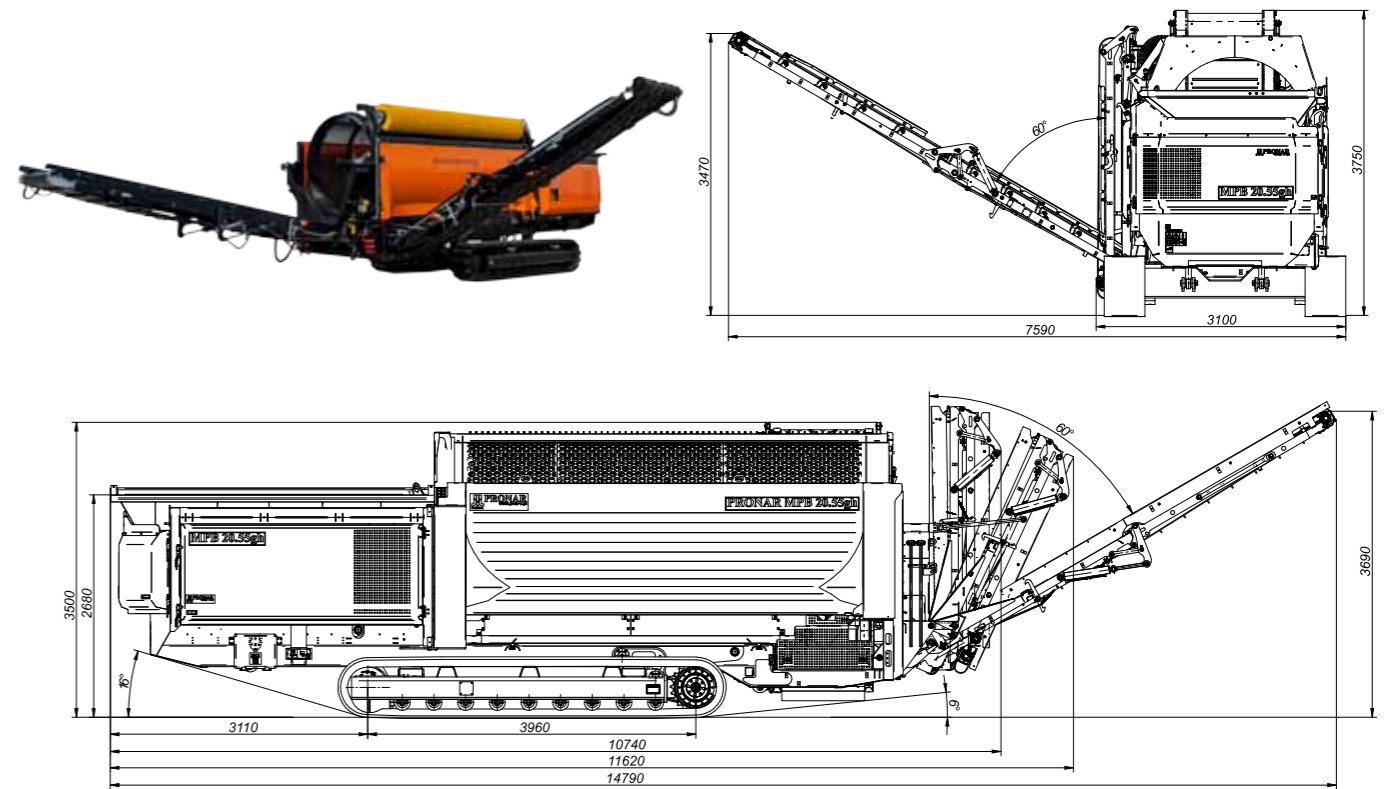




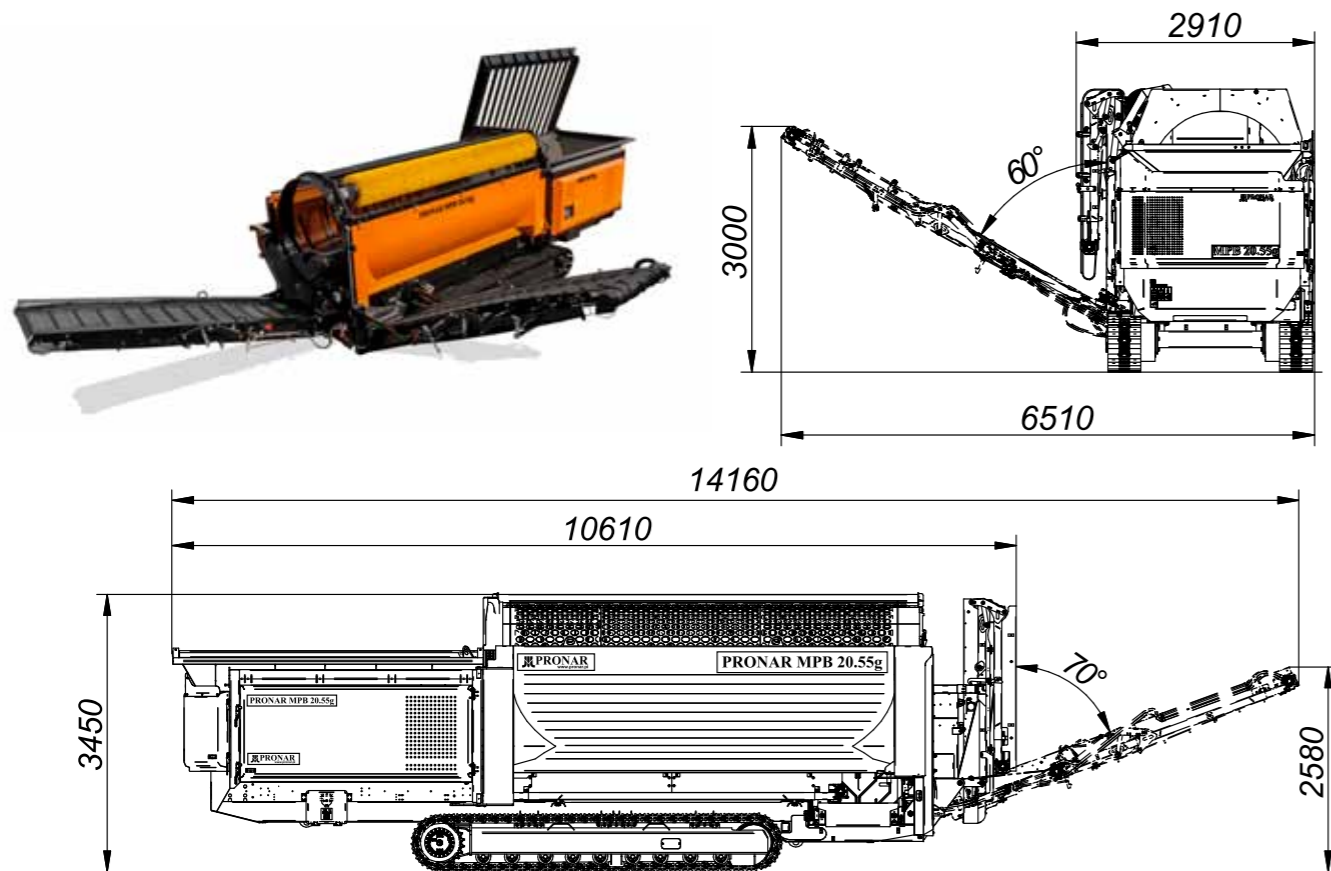
Tracked mobile trommel screen MPB 18.47g



Tracked chassis mobile trommel screen with hydraulic system clearance regulation MPB 20.55gh



Tracked mobile trommel screen MPB 20.55g



Tracked chassis mobile trommel screen with hydraulic system clearance regulation MPB 20.55gh



MPB 20.55 - municipal waste



Municipal waste



Rubble



Shredded tree stumps



Coal

Pronar MPB Trommel drums may be easily changed to suit material screening requirements. Pronar also produces screen drums compatible with other manufacturers' machines.

Depending on the screened material: soil, compost, municipal waste, aggregate, biomass; different types of perforation are available, shapes include round or square, any size hole available.

There are 4 standard drum versions available:

- length 4,4 m & diameter 1,4 m
- length 4,7 m & diameter 1,8 m
- length 5,5 m & diameter 2 m
- length 7,2 m & diameter 2 m

There are 3 standard wall thickness versions:

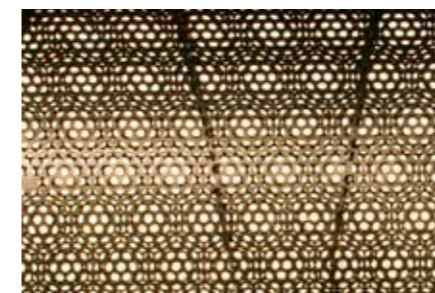
6 mm, 8 mm and 10 mm.

Hole size, regardless of its shape, could be from 10 to 100 mm.

Upon client's request, we are able to manufacture a drum of non-standard holes or made of steel mesh

Drum length [mm]	Drum diameter [mm]	Wall thickness [mm]	Perforation shape
4400	1400	6/8/10/	square/round
4700	1800	6/8/10/	square/round
5500	2000	6/8/10/	square/round
7200	2000	6/8/10/	square/round

Different types of perforation "K" - square

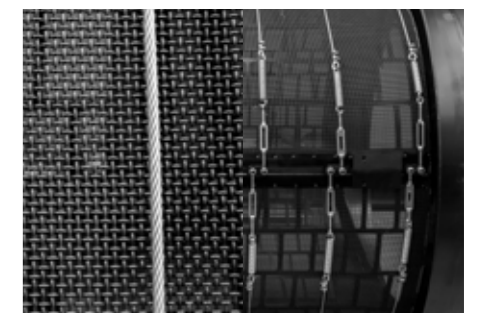


Different types of perforation "O" - round

Screwed knives for ripping bags with waste*



Special mesh drum for perforation <10mm



*Additional screwed-on pads available for better material separation

MOBILE SLOW-SPEED SHREDDERS
MRW 2.85 / 2.85g / 2.85h / 2.1010



Pronar mobile slow-speed shredders are designed for primary shredding different types of materials.

Machines can be used for shredding municipal green, industrial, construction waste, pallets, tree cutting residues, tree stumps, bulky and oversized materials, light scrap.

Working element consists of two synchronised shredding shafts placed in the working chamber. Working elements are manufactured from wear-resistant materials, which ensures longlife and failure-free operating.

Depending on the chassis type, the shredders can be moved around area at any moment without the use of towing vehicles(tracked chassis) or towed on roads up to 100km/h (wheeled chassis).



Conveyor belt speed rate adjustment



Machine operating mode indicator - for status check and security warnings



Working chamber made of wear-resistant materials which significantly increase lifetime of the machine



Central control panel with touchscreen

Remote control for basic machine operating functions



Hydraulic support legs ensures stability of machine



Hydraulic tipping chute allows to feed over-sized material into working chamber



European road homologation for transport up to 100km/h



Central lubrication system ensures good greasing of most important parts of the machine



Cleanfix systems automatically clean engine and oil hydraulics radiators





MRW 2.1010 - tree stumps



MRW 2.85 - green waste



MRW 2.1010 - municipal waste

Magnetic separator for extraction of ferromagnetic materials.



Ball coupling enables repositioning of the shredder using construction machinery.



Working area additional lights increase safety near the machine



Different types of **shredding shafts** available



MRW 2.85 / 2.85g / 2.85h / 2.1010

MOBILE SLOW-SPEED SHREDDER



CHASSIS:	MRW 2.85
Total weight [kg]	~ 24000
Dimension (length/width/height) [mm]	8850x2550x4000
Max speed [km/h]	100
Brake system	Pneumatic with EBS
ABS configuration	4S/2M
Brake type	Drum
Additional Power supply to EBS system	+
Type of attachment mechanism	Machanical
Number of wheels	6
Tyre dimensions	435/50 R19,5 (160J)
Axle manufacturer	ATW / ADR
Number of axles	3
Max axle load [kg]	9000
Front support legs [pcs]	1
Rear support legs [pcs]	2
Road light voltage [V]	24 (12)
Type of Road lights	LED
Drawbar eye diameter [mm]	50
Drawbar height from ground (adjustable) [mm]	950 (± 110)
Mud flaps	+
Wheel chocks	+
Contour markings	+
Beacon light	+
Toolbox	+
Rear removable bar	+
Marking plates	+

TRACKED CHASSIS	MRW 2.85g	MRW 2.1010
Total weight [kg]	26380	~40000
Dimension (length/width/height) [mm]	7800/2550/3200	9500/3000/3200
Number os speeds	2	2
Approach Angle (front/rear) [°]	20 / 15	21 / 14

HOOKLIFT CHASSIS	MRW 2.85h
Total weight [kg]	~18000
Dimension (length/width/height) [mm]	7370/2550/2700
Number of wheels	2
Hooklift standard	DIN 30722-1

SHREDDING SYSTEM	MRW 2.85	MRW 2.85g	MRW 2.85h	MRW 2.1010
Dimension of working shafts (length/diameter) [mm]	1700 / 685	1700 / 685	1700 / 685	2440 / 850
Shaft speed [rpm/min]	44	44	37	34
Number of shafts [Pcs.]	2	2	2	2
Work chamber dimension (length/width) [mm]	1720 / 2340	1720 / 2340	1720 / 2340	2440 / 2880
Loading height [mm]	3150	3200	2450	3200
Hopper capacity [m³]	~ 3,0	~ 3,0	~ 3,0	~ 4,5
Transport belt width [mm]	1400	1400	1400	1400
Control voltage [V]	24	24	24	24
Central lubrication system	+	+	+	+
Belt speed regulation	+	+	+	+
Operation signal lights	+	+	+	+
Hydraulically lifted loading hopper	+	+	+	+
Loading hopper and shafts made of wear-resistant steel	+	+	+	+

ADDITIONAL EQUIPMENT:	MRW 2.85	MRW 2.85g	MRW 2.85h	MRW 2.1010
Bar between shafts	+	+	+	+
Magnetic separator	+	+	+	+
Ball coupling	+	n.a	+	n.a
Drawbar eye: ø57 (Swedish standard)	+	n.a	+	n.a
Lighting of working areas	+	+	+	+
Road lighting adapter 15 pin - 2x7 pin (std 15 pin - 15 pin)	+	n.a	n.a	n.a
Shafts according to customer requirements	+	+	+	+

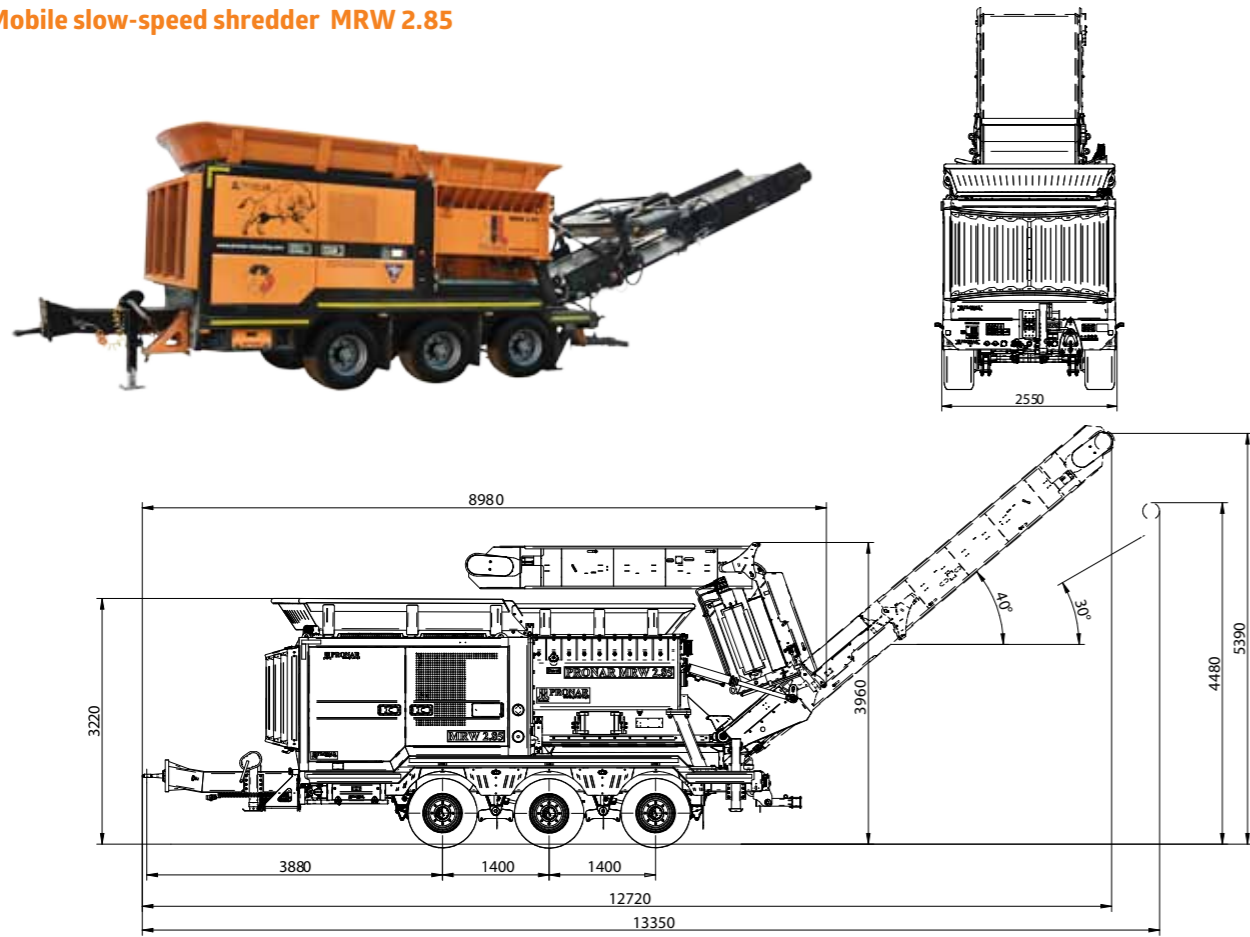
DRIVE:	MRW 2.85	MRW 2.85g	MRW 2.85h	MRW 2.1010
Diesel engine	Caterpillar (EU Stage 4, 9.3 l - 298 kW (405 HP) / 2200 rpm) Volvo Penta (EU Stage 4, 13 l - 315 kW (428 HP) / 1900 rpm)	Caterpillar (EU Stage 4, 9.3 l - 298 kW (405 HP) / 2200 rpm) Volvo Penta (EU Stage 4, 13 l - 315 kW (428 HP) / 1900 rpm)	Caterpillar (EU Stage 4, 9.3 l - 298 kW (405 HP) / 2200 rpm)	Volvo Penta (EU Stage 2, 16.1 l - 565 kW (768 HP) / 1850 rpm)
Electric engine (shafts + hydraulics)	250 kW (340 HP) + 15 kW (20 HP)	-	250 kW (340 HP) + 15 kW (20 HP)	-
Fuel tank capacity [l]	700	700	700	1200
Cleanfix system for engine cooling system	+	+	n.a	+
Cleanfix system for hydraulic oil cooler	+	+	+	+
Lighting for engine area	+	+	+	+

Advantages:

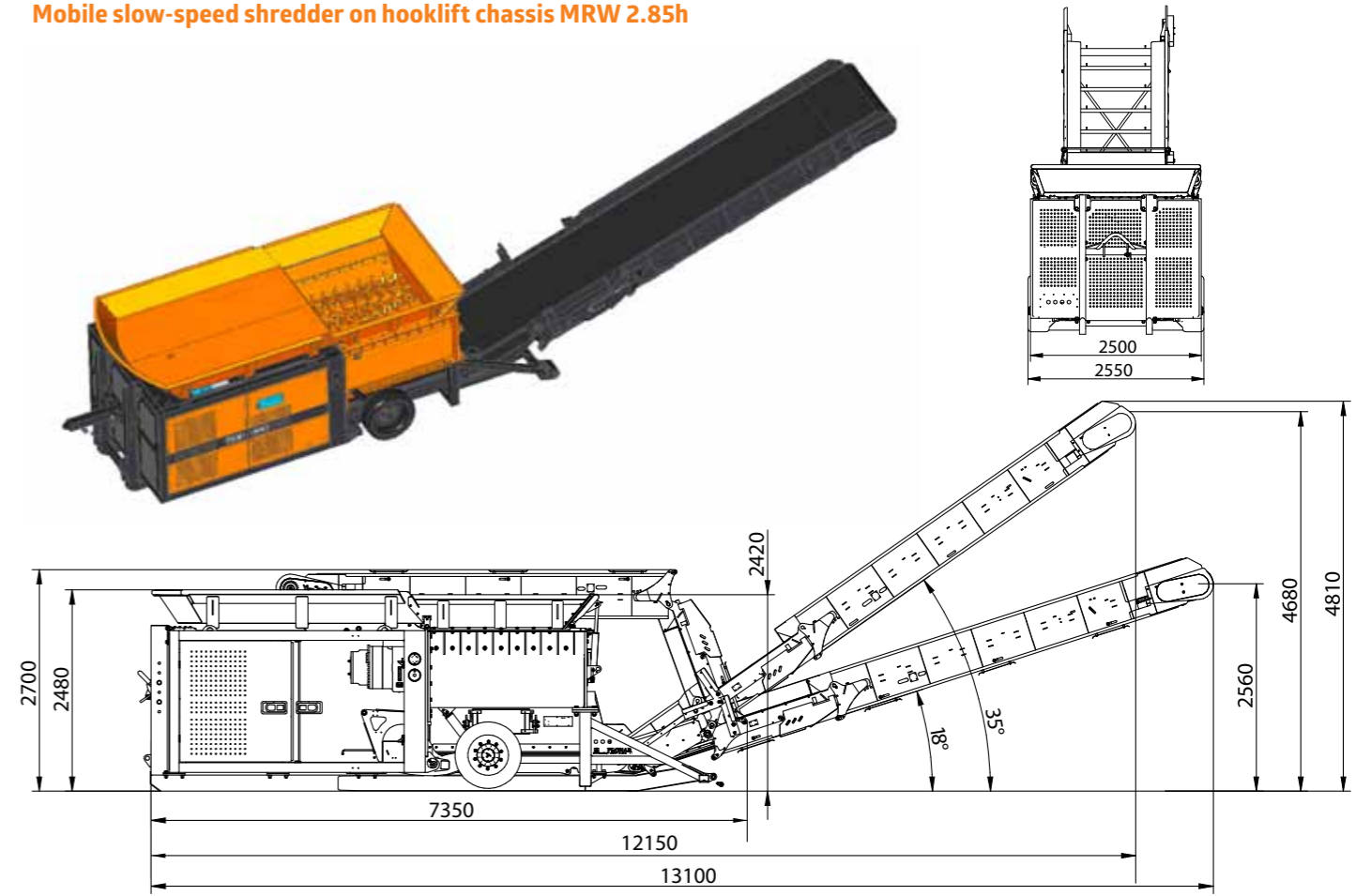
- * Wide range materials processing
- * Easy service thanks to easy access for engine area
- * Remote control as a standard
- * Shredding chamber inspection doors on both sides
- * User-friendly control panel
- * Shaft automatic self-cleaning system
- * Cleanfix system for engine radiator and hydraulic oil cooler
- * High efficiency
- * Shredding chamber made from top -quality materials



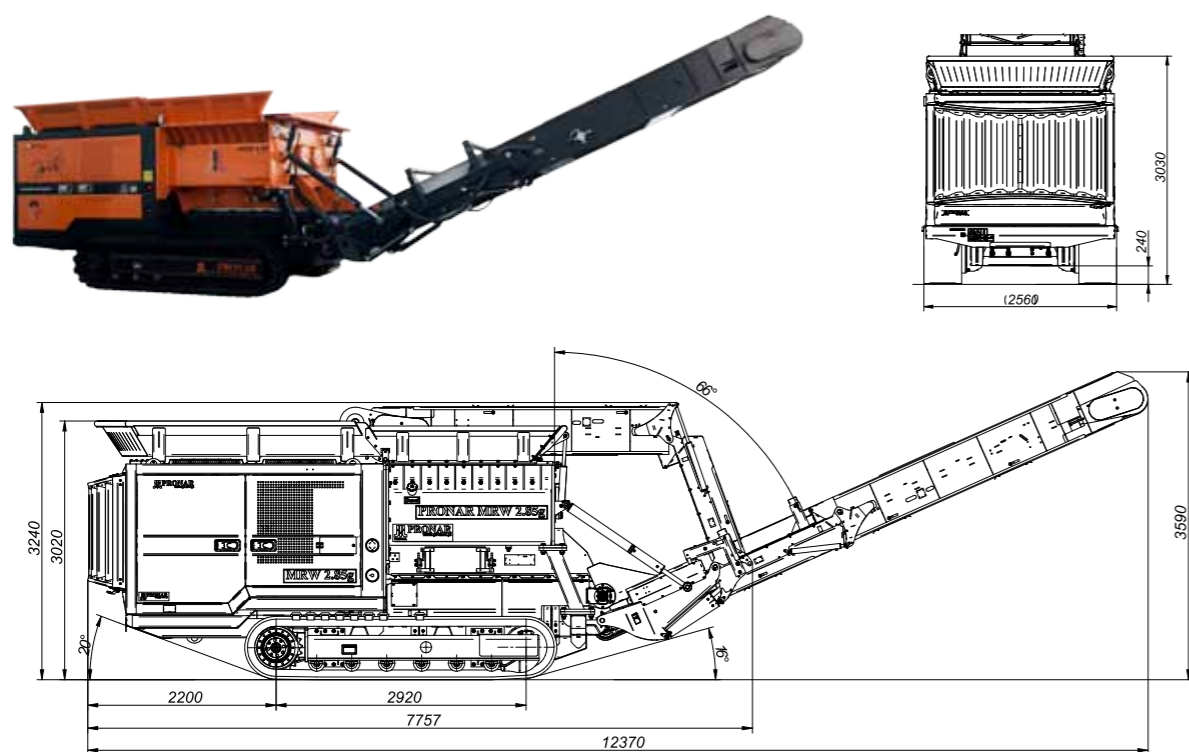
Mobile slow-speed shredder MRW 2.85



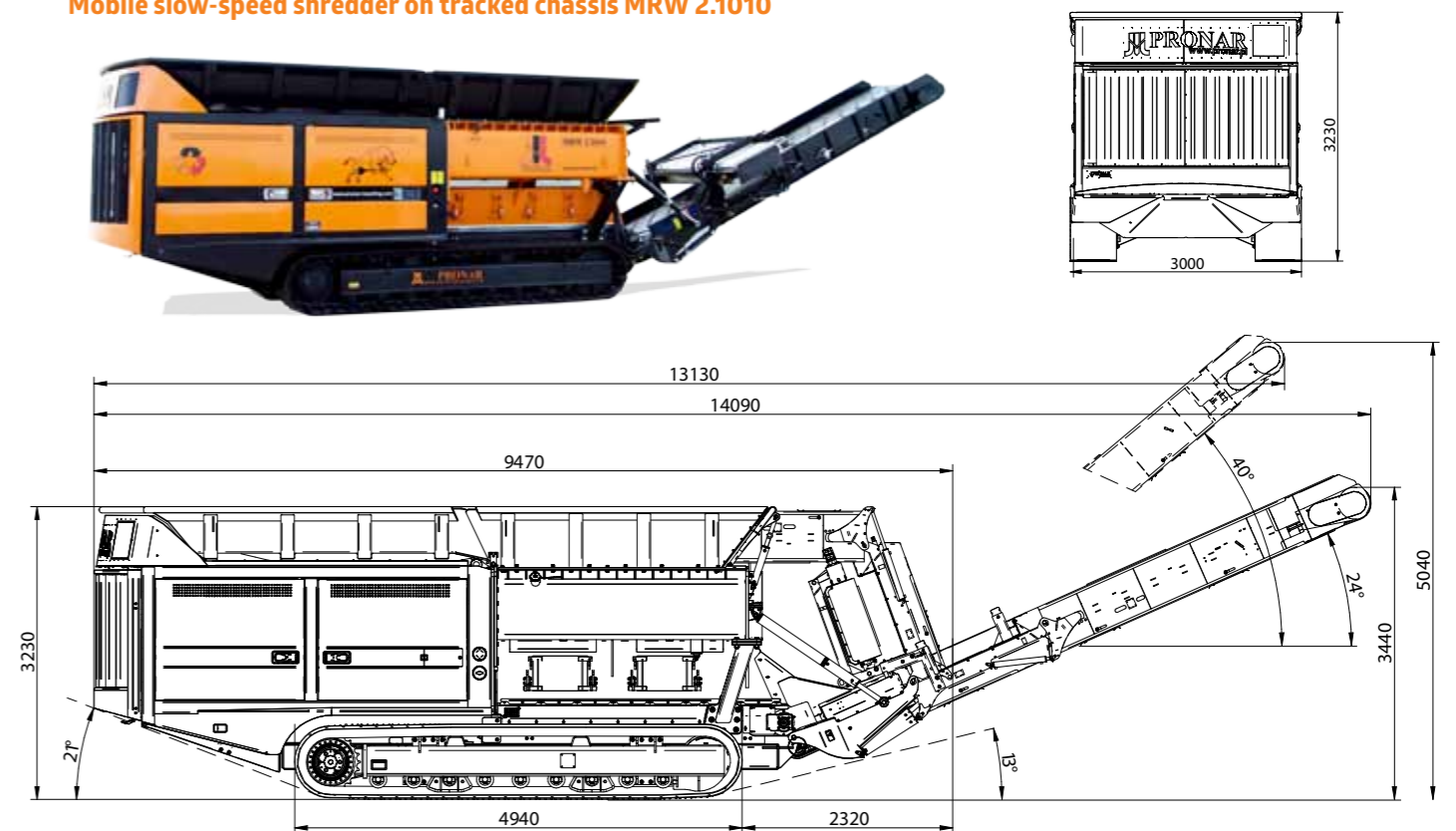
Mobile slow-speed shredder on hooklift chassis MRW 2.85h



Mobile slow-speed shredder on tracked chassis MRW2.85g



Mobile slow-speed shredder on tracked chassis MRW 2.1010





Factory in Siemiatycze - assembly of PRONAR mobile trommel screens and shredders.



Laser cutting process.



Motor mounting.



Welding process.



Painting process.



Round drum segments rolling



Paint application



Strength tests of rear lighting beam





Installation of screening drum


**MOBILE TROMMEL SCREENS
MOBILE SLOW-SPEED SHREDDERS**





Pronar sp. z o.o. provides its clients with direct access to technical sales consultants.

 **Adam Banasiuk**
Mob: +48 506 049 403
e-mail: adam.banasiuk@pronar.pl

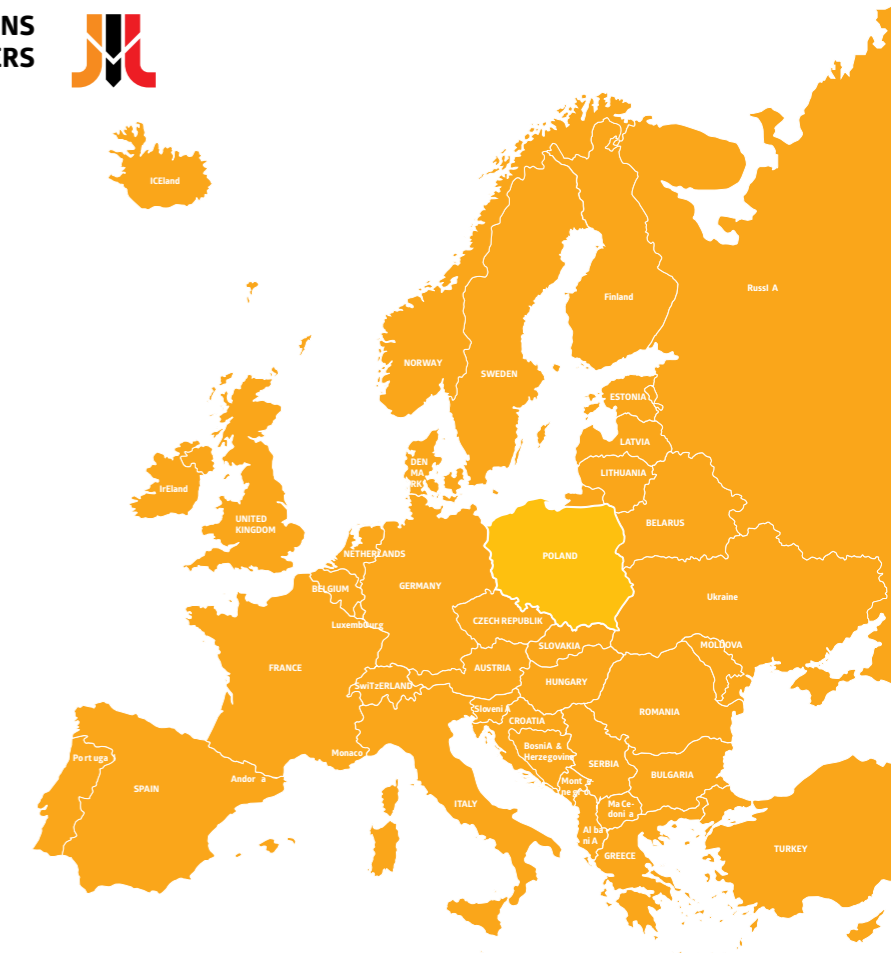
 **Radek Puciaty**
Mob: +48 519 625 726
E-mail: radoslaw.puciaty@pronar.pl

 **Bartosz Tomczak**
Mob: +48 505 699 401
E-mail: bartosz.tomczak@pronar.pl

 **Jakub Chwalewski**
Mob: +48 506 687 967
e-mail: jakub.chwalewski@pronar.pl

 **Mateusz Daniluk**
Mobil: +48 506 142 358
e-mail: mateusz.daniluk@pronar.pl

www.pronar-recycling.com





Narew production facility nr 1



Narew production facility nr 2



Narew production facility nr 3



Narewka production facility



Strabla production facility



Siemiatycze production facility



Hajnówka production facility



PRONAR Sp. z o.o.
17-210 Narew, Poland
ul. Mickiewicza 101A

tel.: +48 85 682 72 16
+48 85 682 72 65
fax: +48 85 682 71 91

municipal.export@pronar.pl
www.pronar.pl

Technology for nature