

PRELIMINARY



451 kW (Stage V)

447 kW (Stage IIIa)



100 t



63.5 m



MAX CAB

6100E

Heavy Duty Cycle Crane

Stage V

6100E Advanced. The E-Series



1969: The first fully hydraulic duty cycle crawler crane worldwide, SK 15

What makes up the E-Series

- 65 years of experience in designing and constructing duty cycle cranes
- Uncompromisingly high performance in all areas
- Technology that can be mastered: High-quality components without over-engineering
- Long service life and high value retention

Your top benefits

1

Green Efficiency

Save fuel - reduce operating costs
Work quietly - protect operator and environment



2

Top-level performance

Durable mechanical systems - stressed parts optimized
High speeds - high load capacities

3

Maximum usability

Maxcab comfort cab - work in comfort
SENCON - work program selection made easy



4

Flexible operation

Drive under full load - small space requirements
Strong undercarriage traction - good off-road mobility

5

Easy to transport

Telescopic Starlifter undercarriage - quickly deployable
Ballast filling system - short set-up time

6

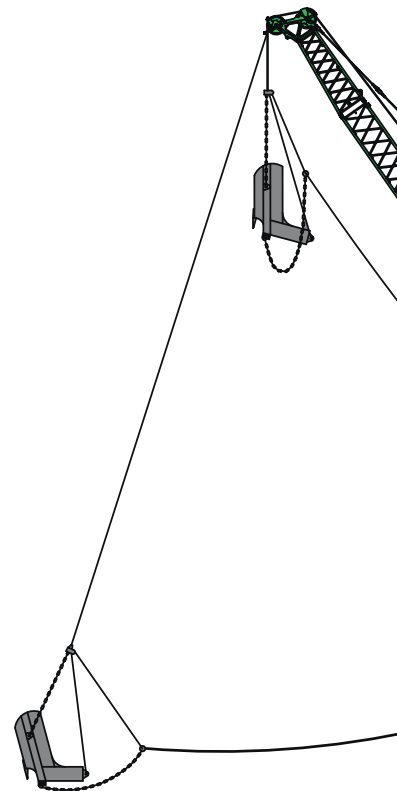
Maintenance and service made easy

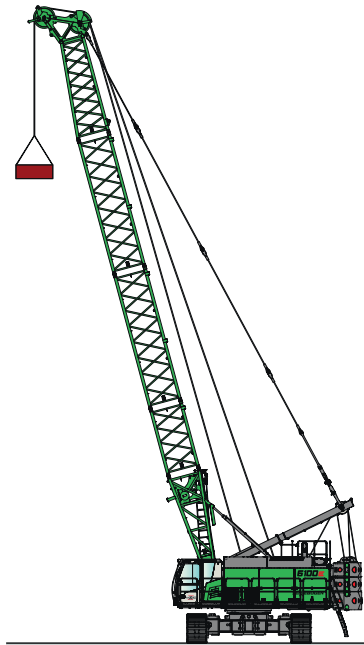
SENNEBOGEN control system - easy diagnosis
Simple maintenance - clear labeling

7

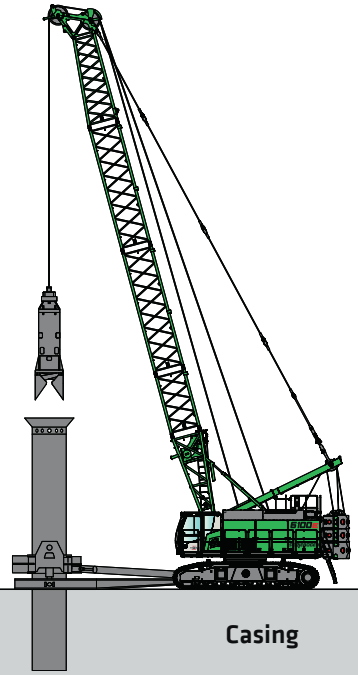
Consultation and support in your area

3 production sites - 2 subsidiaries
150 sales partners - over 350 service stations

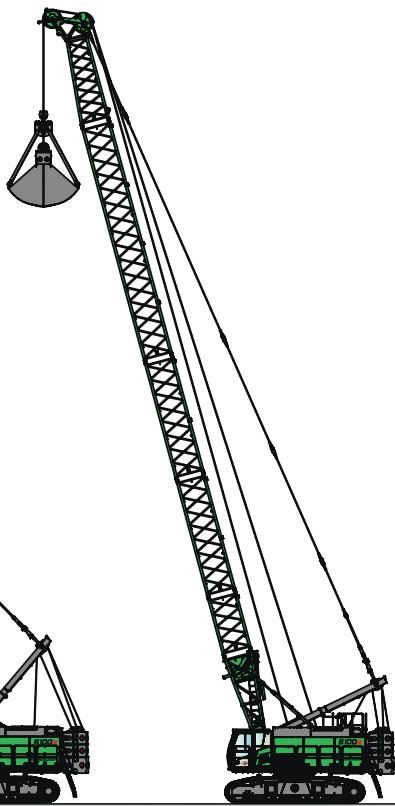




Dynamic soil compaction



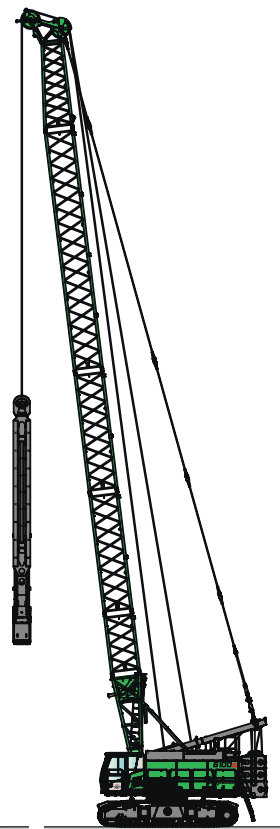
Casing



Dragline bucket equipment

Grab

Crane equipment



Diaphragm wall grab

6100E Technical data, equipment

MACHINE TYPE

Model (type) **6100**

ENGINE

Power **Cummins QSX15 451 kW at 1800 min⁻¹ (Stage V)**
Cummins QSX15 447 kW at 1800 min⁻¹ (Stage IIIa)
 Direct injection, turbocharged, charge air cooling, reduced emissions, automatic idle/stop, diesel particle filter

Cooling water-cooled

Air filter Dry filter with pre-separator, automatic dust discharge, main element and safety element, contamination indicator

Fuel tank **800 l**

Electr. system **24 V**

Batteries **2 x 155 Ah**, battery disconnect switch

UPPERCARRIAGE

Design Torsion-resistant box design, precision crafted, bronze bushings for boom mounting arrangement, clear and very service-friendly concept, engine installed in the longitudinal direction

Lighting LED headlights for optimal lighting of the work area

Safety Camera monitoring of the rear area and right side

Options

- Low-temperature package for use at temperatures below -20 °C
- Automatic Pinion tooth lubrication for slewing ring
- Automatic Internal central lubrication system for equipment and slewing ring
- Sea climate resistant coating as corrosion protection
- Gallery left and right on uppercarriage
- Ballast support fixture

HYDRAULIC SYSTEM

Multi-circuit hydraulic system for optimum functionality and performance, all movements can be operated simultaneously. The hydraulic pumps are variable displacement piston pumps with individual control and energy-saving flow-on-demand control. The pumps only pump as much oil as will actually be used. Pressure purging, load limit control

Operating pressure **up to 330 bar**

Filtration High-performance filtration with long change interval, contamination indicator

Hydraulic tank **910 / 760 l** (half-way up the sight glass)

Control system Proportional, precision hydraulic servo control of the movements, 2 servo joysticks for work functions, additional functions via switches and foot pedals - arranged clearly and ergonomically

Options

- Bio-oil filling
- 3 µm hydraulic micro-filter SENNEBOGEN HydroClean
- Potentiometer for pipework machine and other attachments
- Grab filling mechanism
- Auxiliary hydraulics with 1 x 420 l/min

SLEWING DRIVE

Gearbox 2 compact planetary gears with bent-axis hydraulic engine, integrated brake valves, positionable swing bearing brake

Parking brake Spring-loaded multi-disk brake

Slewing ring Three-row roller-bearing slewing ring with external gear teeth

Slewing speed 0-4 min⁻¹, 3 adjustable slewing speeds

Option 3 gearboxes

CAB

Cab type Maxcab rigid

Cab equipment Sliding door, excellent ergonomics, climate automation, seat heater, air-suspension comfort seat, fresh air filter / circulating air filter, joystick steering, 12 V / 24 V USB connections, SENCON, skylight, sliding window in operator door

Options

- 270 cm hydraulically elevating cab type E270
- Cab can tilt by 20°
- Auxiliary heating system with timer
- In cab active carbon filter for internal/external air
- Bullet proof windshield
- Bullet proof skylight
- Safety side window and rear window
- Sunblind for windshield
- Protective roof grating
- FOPS protective roof grating
- Protective front grating
- Radio with speakers
- electric cooling box

6100E Technical data, equipment

EQUIPMENT

Design	Decade-long experience, most advanced computer simulation, the greatest degree of stability and longest service life
Boom adjustment winch	Bent-axis hydraulic engine drive with compact planetary gear, 110 kN tensile force; rope diameter 20 mm, adjustment speed 15° to 84.5° in approx. 55 sec.
Safety brake	Spring-loaded multi-disk brake
Boom	Boom length up to 63.5 m
Options	<ul style="list-style-type: none"> ■ Auxiliary boom for load capacities up to 24 t ■ Fixed fly up to 29.9 m ■ Load torque limiting system for hoist applications: Latest generation of load moment monitoring, display shows all important data, lifting limit switch, pressure relief valves, cable exit protection ■ Walkways on the boom across the entire boom width

UNDERCARRIAGE

Design	Very strong wide-gauge undercarriage T107/420, stable welded construction
Drive	Strong travel drive with axial piston hydraulic engine and directly attached automatically functioning brake valve and compact planetary gear on each running gear side, protected drive gearing
Parking brake	Spring-loaded multi-disk brake
Traveling gear	Maintenance-free tractor chassis B7 with hydraulic chain tension, 800 mm triple grouser shoes
Speed	0 - 1.7 km/h
Options	<ul style="list-style-type: none"> ■ 900 mm triple grouser track shoes (transport width 3600 mm) ■ 900 mm flat track shoes (transport width 3600 mm) ■ Hoisting device for dismantling the traveling gear ■ maintenance-free tractor chassis B8b ■ Pipework connections ■ Undercarriage ballast 2 x 8.5 t

WINCH

The winches are driven via high-pressure-regulated adjustable hydraulic engines, thus there is always optimal pulling force speed control. Hydraulic lowering brake valves for sensitive, wear-free braking. Strong oil bath, planetary gear, low-maintenance.

Crane brake and free-fall brake are spring-loaded, maintenance-free, low-wear disc brakes running in the oil bath, oil-cooled. The individual, variably adjustable free-fall brakes actively support the operator, prevent slack cable and protect the machine.

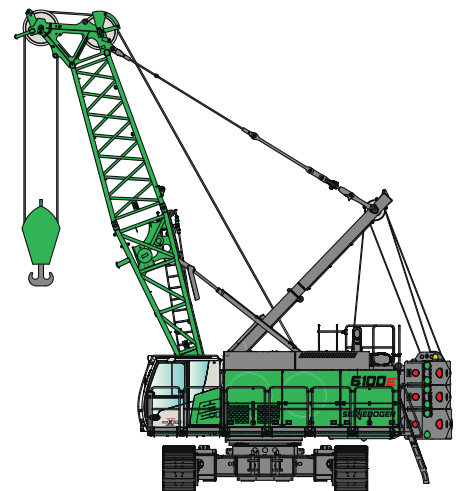
	Standard	Option	Option
Winches	20 t	27.5 t	30 t
Cable pull (nominal load) 1st position	200 kN	275 kN	300 kN
Cable diameter	28 mm	34 mm	34 mm
Cable speed 2nd position	0-103 m/min	0-88 m/min	0-79 m/min
Cable capacity 1st position	44.9 m	42.7 m	47.3 m
Options	<ul style="list-style-type: none"> ■ Additional winch 110 kN ■ Grab steadying winch 30 / 18 / 9 kN ■ Cable tension pulley ■ Depth measuring device ■ Winch synchronization 		

OPERATING WEIGHT

Mass approx. 91 t

6100 R with 2 x 27.5 t freefall winches, basic boom 10.3 m, counter weight 28 t, 60 t bottom block, 800 mm triple grouser track shoes, 100 m hoist cable

Note Operating weight varies by model and equipment.

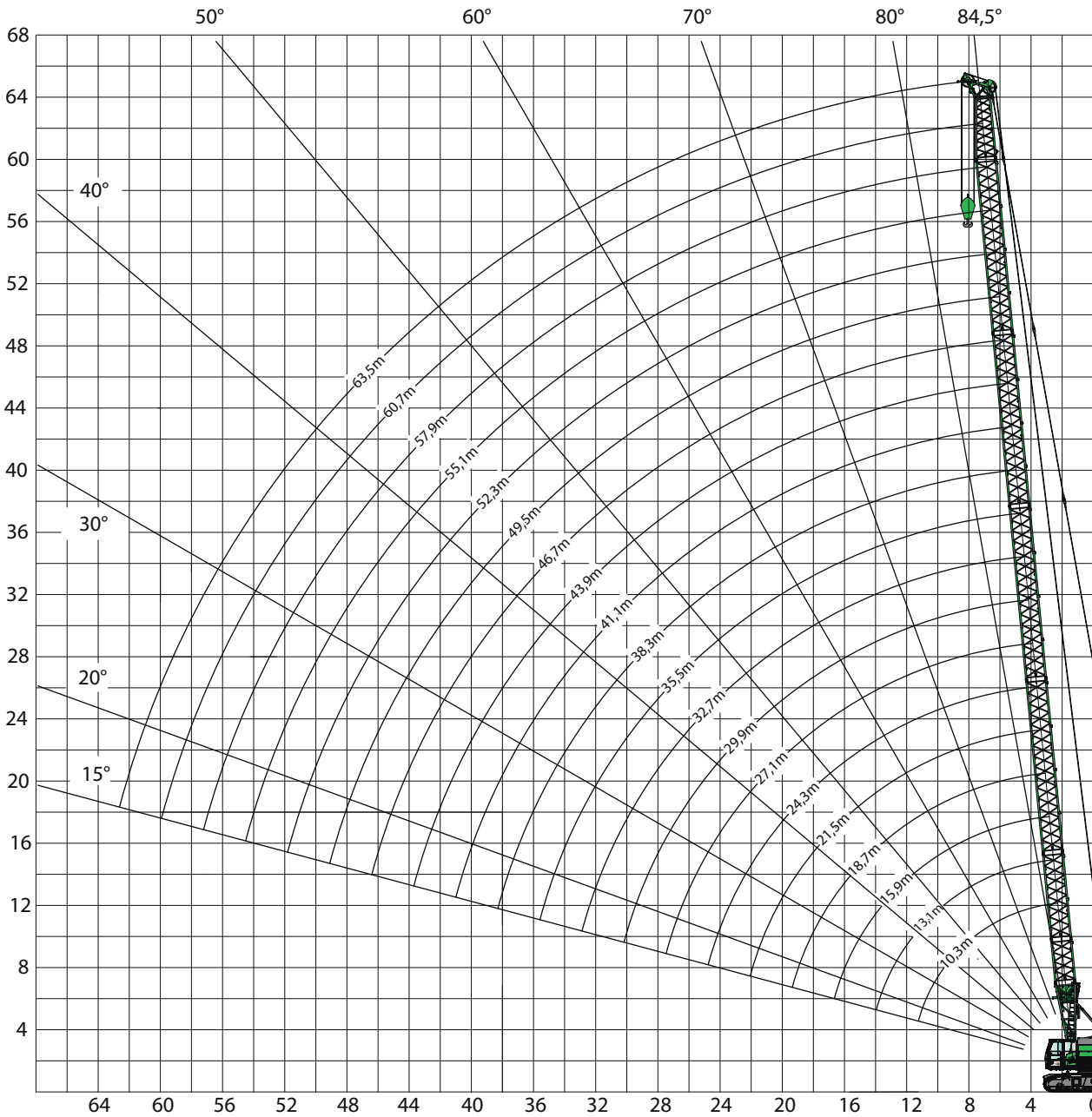
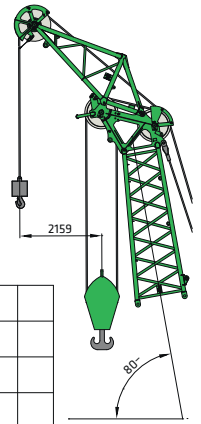


6100E Crane equipment



Main boom

Auxiliary boom
max. load capacity 24 t



Boom configuration

		Boom length [m]																			
		10.3	13.1	15.9	18.7	21.5	24.3	27.1	29.9	32.7	35.5	38.3	41.1	43.9	46.7	49.5	52.3	55.1	57.9	60.7	63.5
Lower SH boom section type 1608-2	5.15 m	1	1	1	1	1	1	1	1	1	1	1	1	1	1	1	1	1	1	1	1
SH boom section type 1608-2	2.8 m	0	1	0	1	0	1	0	1	0	1	0	1	0	1	0	1	0	1	0	1
SH boom section type 1608-2	5.6 m	0	0	1	1	2	2	1	1	2	2	1	1	2	2	1	1	2	2	1	1
SH boom section type 1608-2	11.2 m	0	0	0	0	0	0	1	1	1	1	2	2	2	2	3	3	3	3	4	4
SH head piece type 1608-2	5.15 m	1	1	1	1	1	1	1	1	1	1	1	1	1	1	1	1	1	1	1	1
Auxiliary boom S24.3 (optional)	24.0 t	x	x	x	x	x	x	x	x	x	x	x	x	x	x	x	x	x	x	x	x

6100E Load capacity



Main boom



Boom radius [m]	Boom length [m]																					
	10.3	13.1	15.9	18.7	21.5	24.3	27.1	29.9	32.7	35.5	38.3	41.1	43.9	46.7	49.5	52.3	57.9	63.5				
3.0	100.0	100.0/3.2	100.0/3.5	100.0/3.8																		
4.0	100.0	100.0	100.0	100.0	100.0	92.1/4.3	82.6/4.6	73.5/4.8														
5.0	90.0	89.8	89.6	88.4	84.2	80.2	76.7	73.3	69.4/5.1	62.9/5.4	6.7/5.7	51.0/5.9										
6.0	75.0	74.6	74.2	71.0	68.1	65.4	63.0	60.7	58.5	56.3	54.5	50.9	45.8/6.2	40.7/6.5	36.4/6.7							
7.0	61.2	61.2	61.2	59.2	57.1	55.0	53.2	51.5	49.8	48.1	46.8	45.3	43.9	40.2	36.2	32.7	26.1/7.5					
8.0	50.2	50.2	50.2	50.0	49.0	47.4	45.9	44.6	43.2	41.9	40.8	39.6	38.4	37.3	35.5	32.0	25.7	20.5/8.1				
9.0	42.4	42.4	42.4	42.2	42.1	41.5	40.3	39.2	38.1	36.9	36.1	35.1	34.1	33.1	32.4	31.2	25.0	19.8				
10.0	36.6	36.6	36.6	36.4	36.3	36.1	35.8	31.4	33.9	32.9	32.2	31.3	30.5	29.6	29.1	28.3	27.5	26.7	26.3	25.6	23.5	18.4
11.0	32.1	32.1	32.1	31.9	31.8	31.6	31.5	27.9	30.5	29.6	29.1	28.3	27.5	26.7	26.3	25.6	23.5	18.4				
12.0	30.4/11.4	28.6	28.5	28.4	28.2	28.0	27.9	24.9	27.7	26.9	26.4	25.7	25.0	24.3	23.9	22.3	22.0	17.6				
13.0		25.6	25.6	25.4	25.3	25.1	25.0	22.5	24.8	24.5	24.1	23.5	22.8	22.2	21.9	21.3	20.1	16.9				
14.0		23.2	23.2	23.0	22.9	22.7	22.6	20.4	22.3	22.1	22.1	21.5	21.0	20.4	20.1	19.5	18.5	16.1				
15.0		22.9/14.1	21.1	21.0	20.8	20.6	20.5	18.7	20.3	20.1	20.1	19.9	19.3	18.8	18.5	18.0	17.0	15.4				
16.0			19.4	19.2	19.1	18.9	18.8	17.2	18.5	18.3	18.3	18.1	17.9	17.4	17.1	16.7	15.7	14.6				
17.0			18.1/16.8	17.7	17.6	17.4	17.3	15.8	17.0	16.8	16.8	16.6	16.4	16.1	15.9	15.4	14.6	13.7				
18.0				16.4	16.3	16.0	15.9	14.7	15.7	15.4	15.5	15.3	15.1	14.9	14.8	14.4	13.5	12.7				
19.0				15.3	15.1	14.9	14.8	13.6	14.5	14.3	14.3	14.1	13.9	13.7	13.7	13.4	12.6	11.8				
20.0				14.7/19.5	14.1	13.9	13.8	11.9	13.5	13.2	13.2	13.0	12.9	12.7	12.7	12.5	11.7	11.0				
22.0					12.4	12.1	12.0	10.5	11.7	11.5	11.5	11.3	11.1	10.9	10.9	10.7	10.2	9.5				
24.0					12.2/22.2	10.7	10.6	9.3	10.3	10.1	10.0	9.8	9.6	9.4	9.5	9.3	8.9	8.3				
26.0						10.2/25.0	9.5	8.3	9.1	8.9	8.8	8.6	8.4	8.2	8.3	8.1	7.7	7.2				
28.0							8.7/27.6	7.5	8.1	7.9	7.8	7.6	7.4	7.2	7.2	7.1	6.7	6.3				
30.0								7.4/30.4	7.3	7.0	7.0	6.8	6.6	6.4	6.4	6.2	5.8	5.4				
32.0									6.6	6.3	6.3	6.0	5.8	5.6	5.6	5.4	5.0	4.7				
34.0									6.2/33.1	5.7	5.6	5.4	5.2	5.0	5.0	4.8	4.4	4.0				
36.0										5.3/35.8	5.1	4.8	4.6	4.4	4.4	4.2	3.8	3.4				
38.0											4.6	4.4	4.1	3.9	3.9	3.7	3.3	2.9				
40.0											4.5/38.5	3.9	3.7	3.5	3.4	3.2	2.8	2.5				
42.0												3.7/41.2	3.3	3.1	3.0	2.8	2.4	2.0				
44.0													3.0/43.9	2.7	2.7	2.5	2.1	1.7				
46.0														2.5	2.3	2.1	1.7	1.3				
48.0														2.4/46.6	2.1	1.8	1.4	1.0				
50.0															1.9/49.3	1.6	1.2					
52.0																1.4						
54.0																						
Cable ø	Number of falls																					
28 mm	8	8	8	8	8	7	6	6	5	5	5	4	4	3	3	3	2	2				
34 mm	5	5	5	5	5	5	5	4	4	4	3	3	3	3	2	2	2	2				

Table no. 6100R-80/2175/35.0+17.0/11.185H

Notes:*

1. The load ratings given apply when the machine is on a firm and level surface.
2. The load ratings are given in tonnes and apply 360 degrees.
3. The load capacities are in observance of standards ISO 4305 Tab. 1+2 as well as the tilt angle method (4° tilt angle).
4. The weight of the load handling equipment (hooks, suspension gear) should be deducted from the load capacities.
5. The load ratings apply for the maximum undercarriage track width of 4200 mm.
6. Load capacities must be limited or reduced in adverse conditions such as soft or uneven ground, slopes, wind, side loads, swinging loads, jolts or sudden stopping of loads, personnel and operators not experienced in handling loads.
7. Permissible cable pull per strand in crane mode for cable diameter 28 mm - 14,000 kg / for cable diameter 34 mm - 20,000 kg
8. The load ratings apply to the SH boom (boom assembly as per operating instructions).
9. The load ratings apply for optimal boom assembly and pulley head with steel cable rollers.
10. The load ratings given are for reference only. Please refer to the operating instructions for the relevant applicable load ratings.

6100E Load capacity



Main boom



Boom radius [m]	Boom length [m]																		
	10.3	13.1	15.9	18.7	21.5	24.3	27.1	29.9	32.7	35.5	38.3	41.1	43.9	46.7	49.5	52.3	55.1	57.9	60.7
3.0	100.0	100.0/3.2	100.0/3.5	100.0/3.8															
4.0	100.0	100.0	100.0	100.0	96.8	85.0/4.3	75.7/4.6	68.1/4.8											
5.0	86.0	85.5	82.9	78.8	75.0	71.4	68.2	65.3	61.7/5.1	56.4/5.4	51.8/5.7	47.8/5.9							
6.0	69.2	69.0	66.0	63.2	60.6	58.2	56.0	53.9	51.9	49.9	48.3	46.6	44.2/6.2	40.7/6.5	36.4/6.7				
7.0	54.3	54.3	54.3	52.6	50.7	48.8	47.2	45.7	44.1	42.6	41.4	40.1	38.7	37.5	36.2	32.7	29.4/7.3	26.1/7.5	23.3/7.8
8.0	44.5	44.5	44.4	44.3	43.4	42.0	40.7	39.5	38.2	37.0	36.1	34.9	33.9	32.8	32.1	31.1	28.8	25.7	23.2
9.0	37.5	37.5	37.5	37.3	37.2	36.7	35.6	34.7	33.6	32.6	31.8	30.9	30.0	29.1	28.4	27.6	26.8	25.0	22.5
10.0	32.3	32.3	32.3	32.2	32.0	31.8	31.6	30.8	29.9	29.0	28.4	27.5	26.7	26.0	25.5	24.7	24.0	23.3	21.9
11.0	28.3	28.3	28.3	28.1	28.0	27.8	27.7	27.6	26.8	26.0	25.5	24.8	24.1	23.4	23.0	22.3	21.7	21.0	20.4
12.0	26.8/11.4	25.1	25.1	25.0	24.8	24.6	24.5	24.5	24.3	23.6	23.1	22.5	21.8	21.2	20.8	20.2	19.7	19.1	18.5
13.0		22.5	22.5	22.4	22.2	22.0	21.9	21.8	21.7	21.5	21.1	20.5	19.9	19.3	19.0	18.4	17.9	17.4	16.9
14.0		20.4	20.3	20.2	20.0	19.8	19.7	19.7	19.5	19.3	19.3	18.7	18.2	17.7	17.4	16.9	16.4	15.9	15.4
15.0		20.0/14.1	18.5	18.4	18.2	18.0	17.9	17.8	17.6	17.4	17.5	17.2	16.7	16.2	16.0	15.5	15.1	14.6	14.2
16.0			17.0	16.8	16.7	16.5	16.4	16.3	16.1	15.9	15.9	15.7	15.4	15.0	14.8	14.3	13.9	13.4	13.0
17.0			15.8/16.8	15.5	15.3	15.1	15.0	14.9	14.7	14.5	14.5	14.3	14.2	13.8	13.7	13.2	12.8	12.4	12.0
18.0				14.3	14.1	13.9	13.8	13.7	13.5	13.3	13.3	13.1	13.0	12.8	12.7	12.3	11.9	11.4	11.1
19.0				13.3	13.1	12.9	12.8	12.7	12.5	12.3	12.3	12.1	11.9	11.7	11.8	11.4	11.0	10.6	10.2
20.0				12.8/19.5	12.2	12.0	11.9	11.8	11.6	11.4	11.4	11.2	11.0	10.8	10.8	11.4	10.2	9.8	9.5
22.0					10.7	10.4	10.3	10.2	10.0	9.8	9.8	9.6	9.4	9.2	9.2	10.6	8.8	8.5	8.2
24.0					10.5/22.2	9.2	9.1	8.9	8.7	8.5	8.5	8.3	8.1	7.9	7.9	9.0	7.6	7.3	7.0
26.0						8.7/25.0	8.1	7.9	7.7	7.5	7.4	7.2	7.0	6.8	6.9	6.7	6.5	6.3	6.1
28.0							7.4/27.6	7.0	6.8	6.6	6.5	6.3	6.1	5.9	5.9	5.8	5.6	5.4	5.2
30.0								6.3	6.1	5.8	5.8	5.6	5.4	5.2	5.2	5.0	4.8	4.6	4.4
32.0								6.2/30.4	5.5	5.2	5.1	4.9	4.7	4.5	4.5	4.3	4.1	3.9	3.7
34.0									5.2/33.1	4.7	4.6	4.3	4.1	3.9	3.9	3.7	3.5	3.3	3.2
36.0										4.3/35.8	4.1	3.9	3.6	3.4	3.4	3.2	3.0	2.8	2.6
38.0											3.7	3.4	3.2	3.0	3.0	2.8	2.6	2.4	2.2
40.0											3.6/38.5	3.1	2.8	2.6	2.5	2.3	2.2	1.9	1.8
42.0												2.9/41.2	2.5	2.2	2.2	2.0	1.8	1.6	1.4
44.0													2.2/43.9	1.9	1.9	1.7	1.5	1.3	1.1
46.0														1.7	1.6	1.4	1.2	1.0	
48.0														1.6/46.6	1.3	1.1			
50.0															1.2/49.3				
52.0																			
54.0																			
Cable ø	Number of falls																		
28 mm	8	8	8	8	7	7	6	5	5	5	4	4	4	3	3	3	3	2	2
34 mm	5	5	5	5	5	5	4	4	4	4	3	3	3	3	2	2	2	2	2

Table no. 6100R-80/2175/28.0+17.0/1118SH

6100E Load capacity



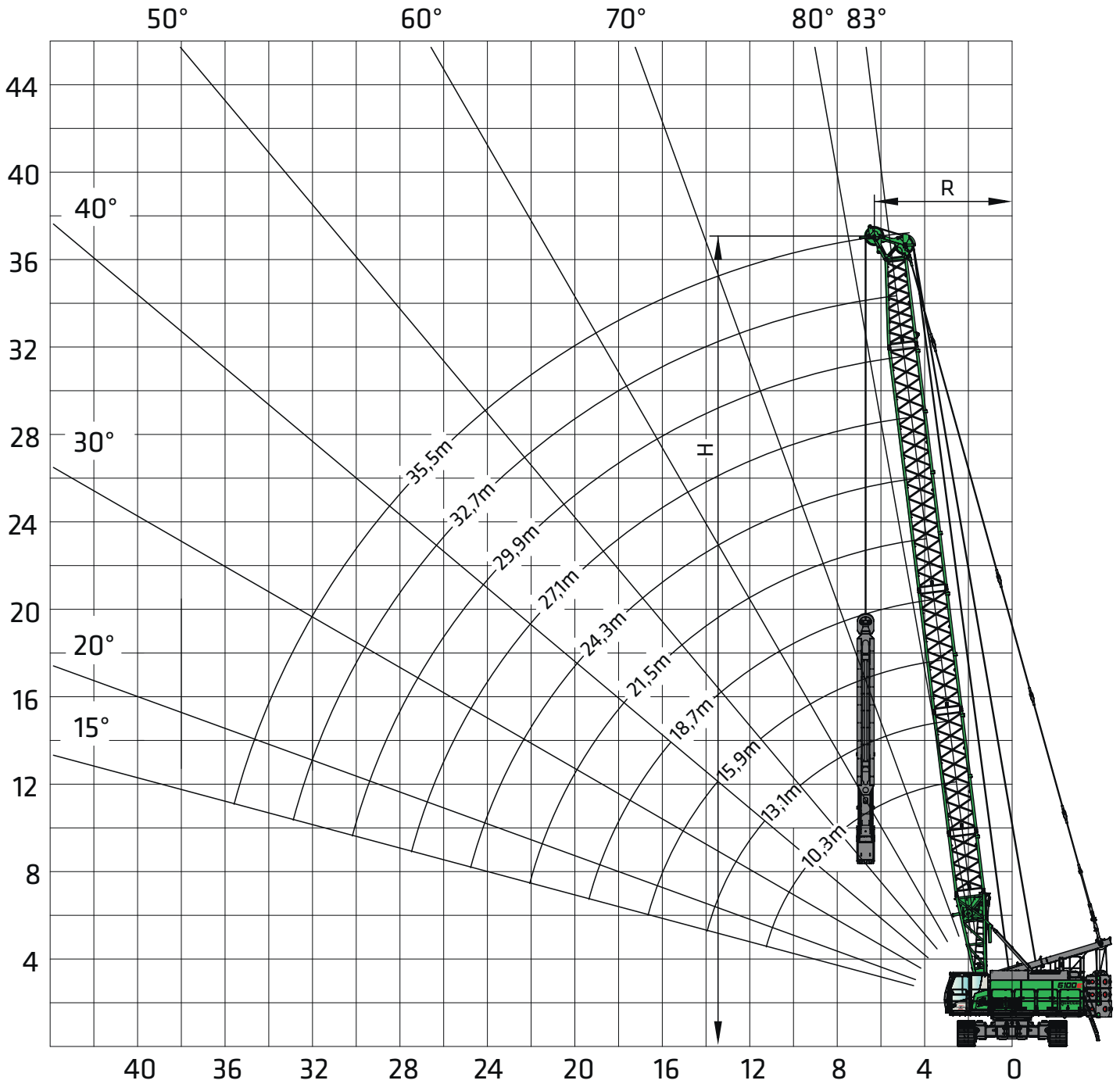
Main boom



Boom radius [m]	Boom length [m]																
	10.3	13.1	15.9	18.7	21.5	24.3	27.1	29.9	32.7	35.5	38.3	41.1	43.9	46.7	49.5	52.3	55.1
3.0	100.0	100.0/3.2	100.0/3.5	100.0/3.8													
4.0	94.4	98.1	98.9	92.6	86.5	75.9/4.3	67.6/4.6	60.7/4.8									
5.0	82.6	78.1	74.0	70.3	66.8	63.6	60.9	58.2	55.0/5.1	50.1/5.4	46.0/5.7	42.4/5.9					
6.0	61.7	61.6	58.9	56.3	54.0	51.8	49.9	47.9	46.2	44.5	42.9	41.3	39.2/6.2	36.4/6.5	33.9/6.7		
7.0	48.3	48.3	48.3	46.8	45.1	43.4	42.0	40.5	39.3	37.9	36.7	35.4	34.4	33.3	32.2	31.1	28.7/7.3
8.0	39.5	39.5	39.5	39.3	38.6	37.2	36.2	35.0	34.0	32.9	31.9	30.8	30.0	29.1	28.2	27.3	26.5
9.0	33.3	33.3	33.2	33.1	33.0	32.5	31.7	30.6	29.8	28.9	28.1	27.2	26.5	25.7	25.0	24.2	23.5
10.0	28.6	28.7	28.6	28.5	28.3	28.1	28.0	27.2	26.5	25.7	25.0	24.2	23.7	22.9	22.3	21.6	21.0
11.0	25.0	25.1	25.0	24.9	24.7	24.5	24.6	24.3	23.8	23.0	22.4	21.7	21.3	20.6	20.0	19.4	18.8
12.0	23.7/11.4	22.2	22.2	22.0	21.9	21.7	21.7	21.5	21.5	20.8	20.2	19.6	19.2	18.7	18.7	17.6	17.0
13.0		19.9	19.8	19.7	19.5	19.3	19.4	19.2	19.1	18.9	18.4	17.8	17.5	17.0	16.5	16.0	15.5
14.0		17.9	17.9	17.7	17.6	17.4	17.4	17.2	17.2	17.0	16.8	16.3	16.0	15.5	15.0	14.6	14.1
15.0		17.7/14.1	16.3	16.1	16.0	15.8	15.8	15.6	15.5	15.3	15.2	14.9	14.7	14.2	13.8	13.3	12.9
16.0			14.9	14.7	14.6	14.4	14.4	14.2	14.1	13.9	13.8	13.6	13.5	13.1	12.7	12.2	11.8
17.0			13.9/16.8	13.5	13.4	13.2	13.2	13.0	12.9	12.7	12.6	12.4	12.4	12.1	11.7	11.3	10.9
18.0				12.5	12.3	12.1	12.1	11.9	11.8	11.7	11.5	11.3	11.3	11.1	10.8	10.4	10.0
19.0				11.6	11.4	11.2	11.2	11.0	10.9	10.7	10.6	10.4	10.4	10.2	10.0	9.6	9.2
20.0				11.1/19.5	10.6	10.4	10.4	10.1	10.1	9.9	9.7	9.5	9.5	9.4	9.2	8.9	8.5
22.0					9.2	9.0	9.0	8.8	8.7	8.5	8.3	8.1	8.1	7.9	7.8	7.6	7.3
24.0					9.1/22.2	7.9	7.8	7.6	7.5	7.3	7.2	7.0	7.0	6.8	6.6	6.4	6.2
26.0						7.4/25.0	6.9	6.7	6.6	6.4	6.2	6.0	6.0	5.8	5.6	5.5	5.3
28.0							6.3/27.6	5.9	5.8	5.6	5.4	5.2	5.2	5.0	4.8	4.6	4.5
30.0								5.3	5.1	4.9	4.7	4.5	4.5	4.3	4.1	3.9	3.8
32.0								5.2/30.4	4.5	4.3	4.2	3.9	3.9	3.7	3.5	3.3	3.1
34.0									4.3/33.1	3.8	3.7	3.4	3.4	3.2	3.0	2.8	2.6
36.0										3.4/35.8	3.2	3.0	2.9	2.7	2.6	2.4	2.2
38.0											2.9	2.6	2.5	2.3	2.1	1.9	1.8
40.0											2.8/38.5	2.3	2.2	1.9	1.8	1.6	1.4
42.0												2.1/41.2	1.8	1.6	1.5	1.3	1.1
44.0													1.6/43.9	1.4	1.2	1.0	
46.0														1.1	0.9		
48.0														1.0/46.6			
50.0																	
52.0																	
54.0																	
Cable ø	Number of falls																
28 mm	8	8	8	8	7	6	5	5	4	4	4	4	3	3	3	3	3
34 mm	5	5	5	5	5	4	4	4	3	3	3	3	2	2	2	2	2

Table no. 6100R-80/2175/28.0+0.0/11.185H

6100E Diaphragm wall grab equipment



6100E Load capacity



Diaphragm wall grab



Boom radius [m]	Boom length [m]									
	10.3	13.1	15.9	18.7	21.5	24.3	27.1	29.9	32.7	35.5
3.2	45.5/3.2	45.5/3.6	45.5/3.9							
4.0	45.5	45.5	45.5	45.5/4.3	45.5/4.6	45.5/4.9				
5.0	45.5	45.5	45.5	45.5	45.5	45.5	45.5/5.3	45.5/5.6		
6.0	45.5	45.5	45.5	45.5	45.5	45.5	45.3	43.3	41.4	38.2/6.3
7.0	37.3	37.4	37.4	37.3	37.3	37.2	37.2	37.1	37.5	34.2
8.0	30.6	30.6	30.6	30.5	30.5	30.4	30.3	30.2	30.1	30.0
9.0	25.7	25.8	25.8	25.7	25.6	25.5	25.5	25.4	25.3	25.2
10.0	22.2	22.2	22.2	22.1	22.1	21.9	21.9	21.8	21.7	21.6
11.0	19.4	19.4	19.4	19.4	19.3	19.2	19.1	19.0	18.9	18.8
12.0	18.3/11.4	17.2	17.2	17.1	17.1	17.0	16.9	16.8	16.7	16.5
13.0		15.4	15.4	15.3	15.3	15.1	15.1	15.0	14.9	14.7
14.0		13.9	13.9	13.8	13.8	13.6	13.6	13.5	13.4	13.2
15.0		13.7/14.1	12.7	12.6	12.5	12.4	12.3	12.2	12.1	12.0
16.0			11.6	11.5	11.4	11.3	11.3	11.1	11.0	10.9
17.0			10.7/16.8	10.6	10.5	10.4	10.3	10.2	10.1	9.9
18.0				9.7	9.7	9.5	9.5	9.4	9.2	9.1
19.0				9.0	8.9	8.8	8.8	8.6	8.5	8.4
20.0				8.6/19.5	8.3	8.2	8.1	8.0	7.9	7.7
22.0					7.2	7.1	7.0	6.9	6.8	6.6
24.0					7.1/22.2	6.2	6.2	6.0	5.9	5.7
26.0						5.8/25.0	5.4	5.3	5.2	5.0
28.0							4.9/27.6	4.7	4.5	4.4
30.0								4.1	4.0	3.9
32.0								4.0/30.4	3.5	3.4
34.0									3.3/33.1	3.0
36.0										2.7/35.8
38.0										
40.0										

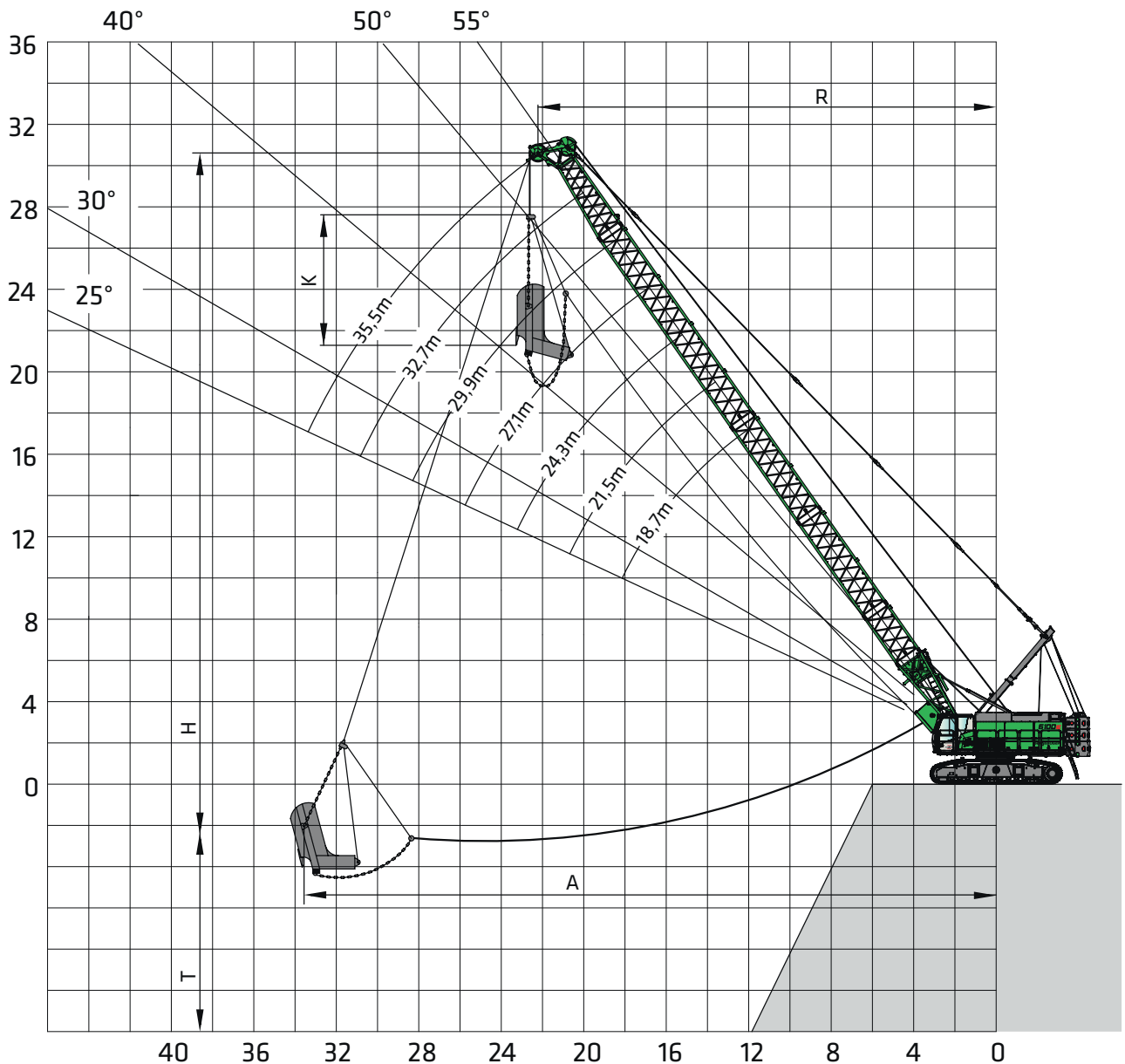
Table no. 6100R-60/2175/28.0+0.0/02.195H

Notes:

- The load ratings given apply when the machine is on a firm and level surface.
- The load ratings are given in tonnes and apply 360 degrees.
- The load capacities do not exceed 60 % of the tipping load.
- The weight of the load handling equipment (hooks, suspension gear) should be deducted from the load capacities.
- Lifting a load that exceeds the maximum tensile force of the winch is only permitted if each individual winch is not overloaded.

Winch tensile force [kN]	200	275	300
Cable diameter [mm]	28	34	34
Minimum breaking force [kN]	710	976	1065
max. load capacity in single-winch operation [t]	20.0	27.5	30.0
max. load capacity in double-winch operation [t]	30.3	41.7	45.5

6100E Dragline bucket equipment



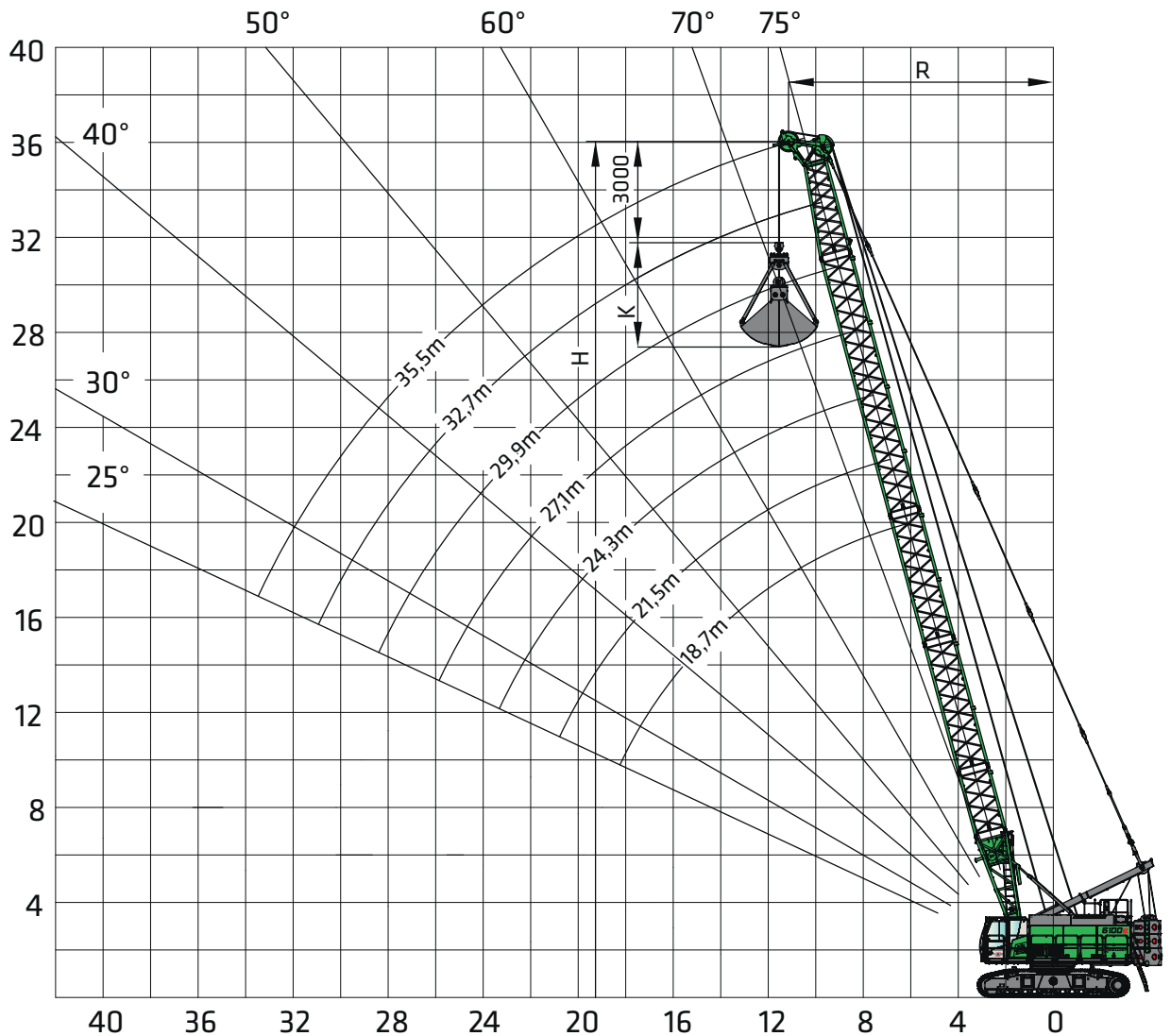
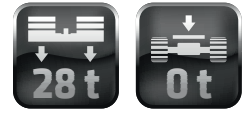
Notes:

1. The load ratings given apply when the machine is on a firm and level surface.
2. The load ratings are given in tonnes and apply 360 degrees.
3. The load ratings apply for the stabilizer/undercarriage track width of 4200 mm.
4. The load capacities include the dragline bucket weight and do not exceed 75 % of the tipping load.
5. The load capacity is limited by the maximum cable pull and/or by the maximum tensile force of one winch.

Winch tensile force [kN]	200	275	300
Cable diameter [mm]	28	34	34
Minimum breaking force [kN]	710	976	1065
max. load capacity when operating dragline bucket [t]	20.0	27.5	30.0

28.0 t	Boom length [m]																				
	18.7			21.5			24.3			27.1			29.9			32.7			35.5		
	R	H	t	R	H	t	R	H	t	R	H	t	R	H	t	R	H	t	R	H	t
55	12.6	16.9	20.0	14.2	19.2	16.8	15.8	21.5	14.3	17.4	23.8	12.4	19.0	26.1	10.7	20.6	28.4	9.3	22.2	30.7	8.1
50	13.8	15.9	17.6	15.6	18.0	14.8	17.4	20.2	12.5	19.2	22.3	10.8	21.0	24.5	9.3	22.8	26.6	8.0	24.6	28.7	6.9
45	15.0	14.7	15.7	17.0	16.7	13.1	19.0	18.7	11.0	20.9	20.7	9.5	22.9	22.6	8.1	24.9	24.6	6.9	26.9	26.6	5.9
40	16.1	13.5	14.2	18.2	15.3	11.8	20.4	17.1	9.9	22.5	18.9	8.5	24.6	20.7	7.2	26.8	22.5	6.1	28.9	24.3	5.1
35	17.0	12.2	13.1	19.3	13.8	10.9	21.6	15.4	9.0	23.9	17.0	7.7	26.2	18.6	6.5	28.5	20.2	5.5	30.8	21.8	4.5
30	17.8	10.7	12.3	20.3	12.1	10.1	22.7	13.5	8.4	25.1	14.9	7.1	27.5	16.3	5.9	30.0	17.7	5.0	32.4	19.1	4.1
25	18.5	9.3	11.7	21.1	10.5	9.6	23.6	11.6	7.9	26.1	12.8	6.7	28.7	14.0	5.6	31.2	15.2	4.7	33.8	16.4	3.8

6100E Grab equipment



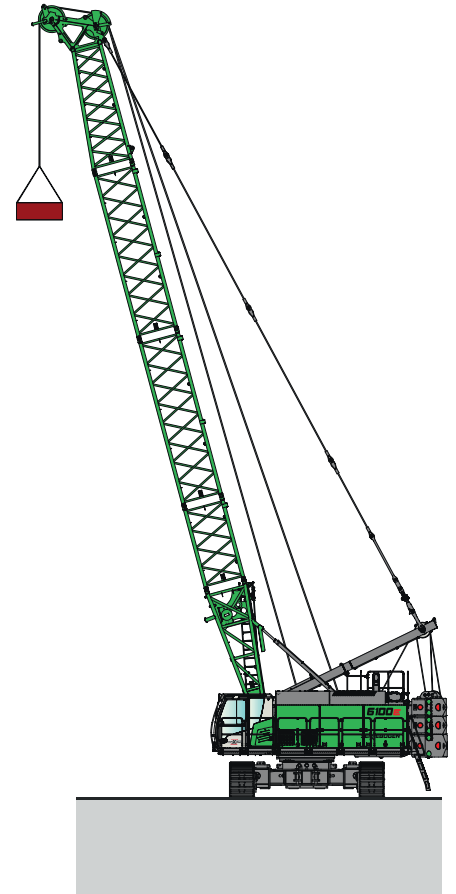
Notes:

1. The load ratings given apply when the machine is on a firm and level surface.
2. The load ratings are given in tonnes and apply 360 degrees.
3. The load ratings apply for the stabilizer/undercarriage track width of 4200 mm.
4. The load capacities include the grab weight and do not exceed 66.7 % of the tipping load.
5. For operation with a mechanical two-rope grab and even load distribution on the closing and holding ropes, the load capacity is limited by the permissible cable pull or the maximum tensile force of a winch.

Winch tensile force [kN]	200	275	300
Cable diameter [mm]	28	34	34
Minimum breaking force [kN]	710	976	1065
max. load capacity in single-winch operation [t]	20.0	27.5	30.0
max. load capacity in double-winch operation [t]	30.3	41.7	45.5

28.0 t	Boom length [m]																				
	18.7			21.5			24.3			27.1			29.9			32.7			35.5		
	R	H	t	R	H	t	R	H	t	R	H	t	R	H	t	R	H	t	R	H	t
75	6.8	19.9	43.2	7.5	22.6	37.0	8.2	25.3	32.1	9.0	28.0	28.4	9.7	30.7	25.2	10.4	33.4	22.6	11.1	36.1	20.4
70	8.3	19.3	31.8	9.3	22.0	27.1	10.3	24.6	23.4	11.2	27.2	20.6	12.2	29.8	18.2	13.1	32.5	16.2	14.1	35.1	14.5
65	9.8	18.6	25.1	11.0	21.2	21.3	12.2	23.7	18.4	13.4	26.3	16.1	14.6	28.8	14.1	15.7	31.3	12.5	16.9	33.9	11.1
60	11.2	17.8	20.8	12.6	20.3	17.6	14.0	22.7	15.0	15.4	25.1	13.1	16.8	27.5	11.4	18.2	30.0	10.0	19.6	32.4	8.8
55	12.6	16.9	17.8	14.2	19.2	14.9	15.8	21.5	12.7	17.4	23.8	11.0	19.0	26.1	9.6	20.6	28.4	8.3	22.2	30.7	7.2
50	13.8	15.9	15.6	15.6	18.0	13.0	17.4	20.2	11.0	19.2	22.3	9.5	21.0	24.5	8.2	22.8	26.6	7.1	24.6	28.7	6.1
45	15.0	14.7	13.9	17.0	16.7	11.6	19.0	18.7	9.8	20.9	20.7	8.4	22.9	22.6	7.2	24.9	24.6	6.1	26.9	26.6	5.2
40	16.1	13.5	12.7	18.2	15.3	10.5	20.4	17.1	8.8	22.5	18.9	7.5	24.6	20.7	6.4	26.8	22.5	5.4	28.9	24.3	4.6
35	17.0	12.2	11.7	19.3	13.8	9.7	21.6	15.4	8.1	23.9	17.0	6.9	26.2	18.6	5.8	28.5	20.2	4.9	30.8	21.8	4.1
30	17.8	10.7	10.9	20.3	12.1	9.0	22.7	13.5	7.5	25.1	14.9	6.3	27.5	16.3	5.3	30.0	17.7	4.4	32.4	19.1	3.7
25	18.5	9.3	10.3	21.1	10.5	8.5	23.6	11.6	7.0	26.1	12.8	5.9	28.7	14.0	5.0	31.2	15.2	4.1	33.8	16.4	3.4

6100E Dynamic soil compaction



28 t 0.0 t Boom radius [m]	Boom length [m]						
	18.7	21.5	24.3	27.1	29.9	32.7	35.5
6.0							
7.0	25.0	25.0					
8.0	25.0	25.0	25.0	25.0	25.0	25.0	25.0
9.0	25.0	25.0	25.0	25.0	25.0	25.0	25.0
10.0	22.7	22.6	22.4	22.4	22.2	22.1	22.0
11.0		19.8	19.6	19.5	19.4	19.3	19.1
12.0			17.4	17.3	17.2	17.0	16.9
13.0				15.5	15.3	15.2	15.0
14.0							
15.0							

Notes:

1. The load ratings given apply when the machine is on a firm and level surface.
2. The load ratings are given in tonnes and apply 360 degrees.
3. The load capacities do not exceed 75 % of the tipping load.
4. The load ratings apply for the undercarriage track width of 4200 mm.
5. Lifting heights should not exceed 25 m.
6. The load ratings apply for 2 winch operation.



Loading hook

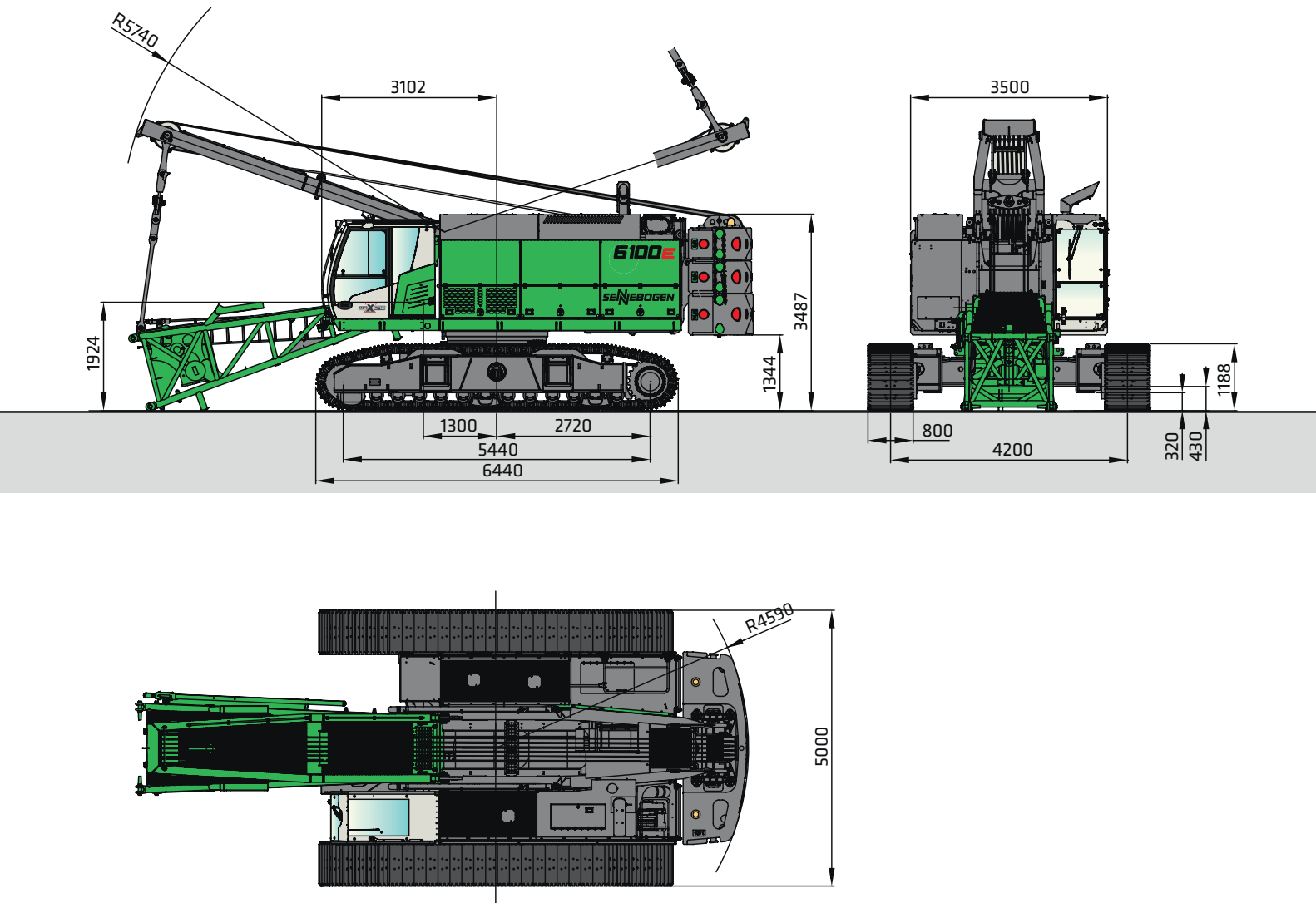
For 300 kN/275 kN winch with 34 mm cable diameter

Capacity	Weight	Cable strands and max. load capacity [kg]							
		8	7	6	5	4	3	2	1
20 t	550 kg								20,000
60 t 1-roll	950 kg						60,000	40,000	20,000
100 t 2-roll	1100 kg				100,000	80,000	60,000	40,000	20,000

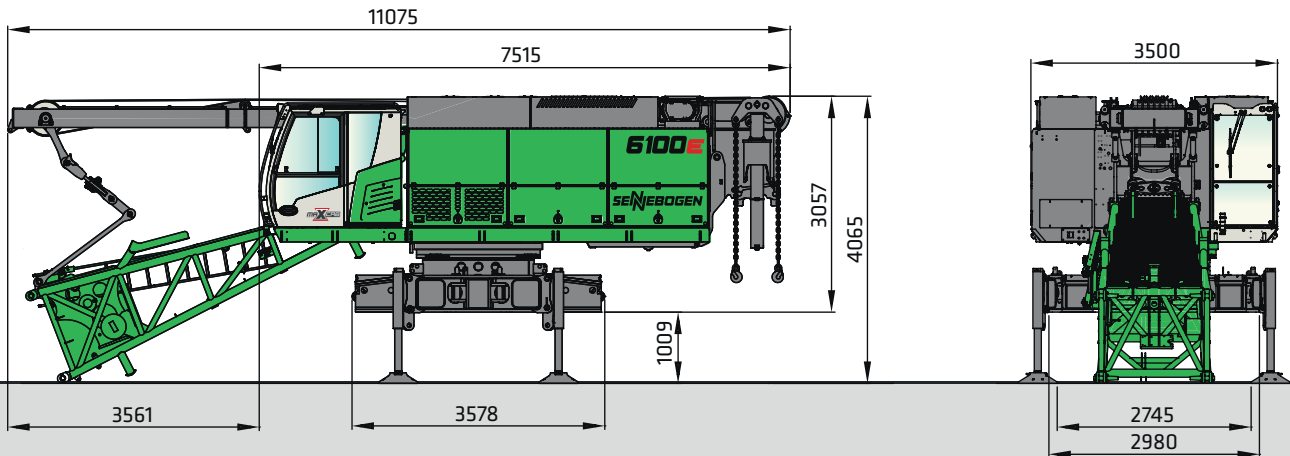
For 200 kN winch with 28 mm cable diameter

Capacity	Weight	Cable strands and max. load capacity [kg]							
		8	7	6	5	4	3	2	1
15 t	350 kg								14,000
40 t 1-roll	800 kg						40,000	28,000	14,000
70 t 2-roll	900 kg				70,000	56,000	42,000	28,000	14,000
100 t 3-roll	900 kg		98,000	84,000	70,000	56,000	42,000	28,000	14,000

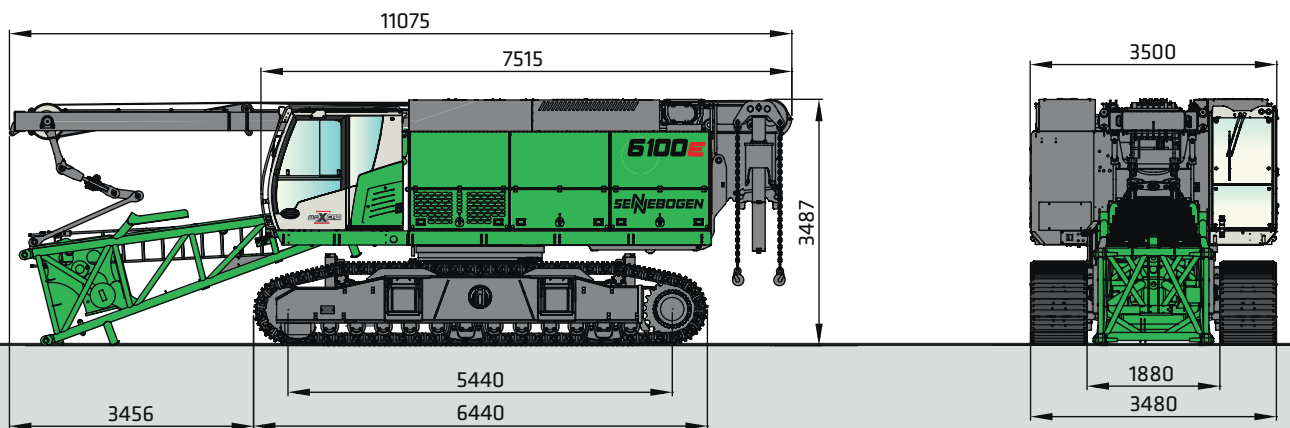
6100E Basic machine dimensions



6100E Transport dimensions and weights

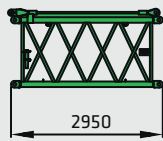
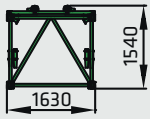


Basic machine with hoisting device and dismantled traveling gear **Weight:** approx. 40900 kg



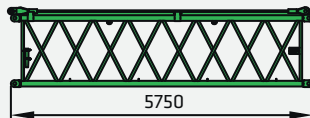
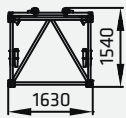
Basic machine transport dimensions with tracks attached **Weight:** approx. 59700 kg

6100E Transport dimensions and weights



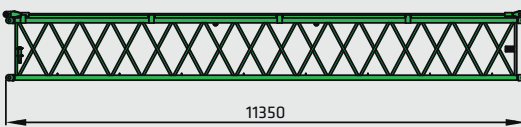
Boom section 2.8 m, SH type 1608-2 (with tensioning cables)

Weight: 530 kg



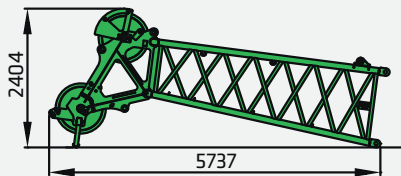
Boom section 5.6 m, SH type 1608-2 (with tensioning cables)

Weight: 890 kg



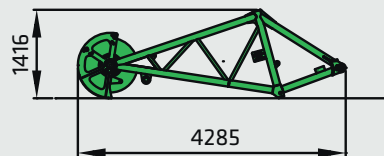
Boom section 11.2 m, SH type 1608-2 (with tensioning cables)

Weight: 1610 kg



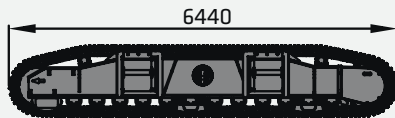
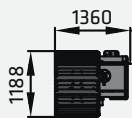
Boom head piece 5.15 m, type 1608-2 (with tensioning cables)

Weight: 2000 kg

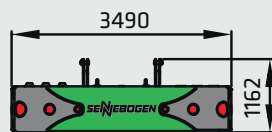


S 24.3 auxiliary boom

Weight: 705 kg

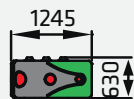


Crawler tracks 2 piece (800 mm triple grouser shoes) **Weight:** 10000 kg (2x)



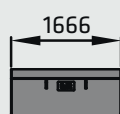
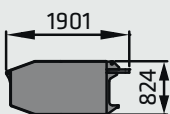
Ballast base plate

Weight: 14000 kg



Counter weight 6 piece / 4 piece (counter weight 35 t / 28 t)

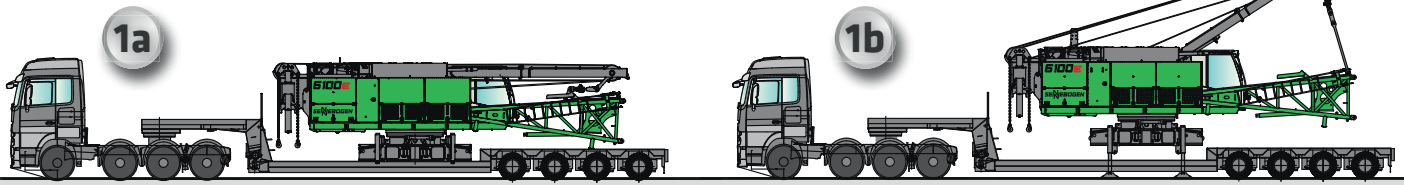
Weight: 3500 kg (6 x / 4 x)



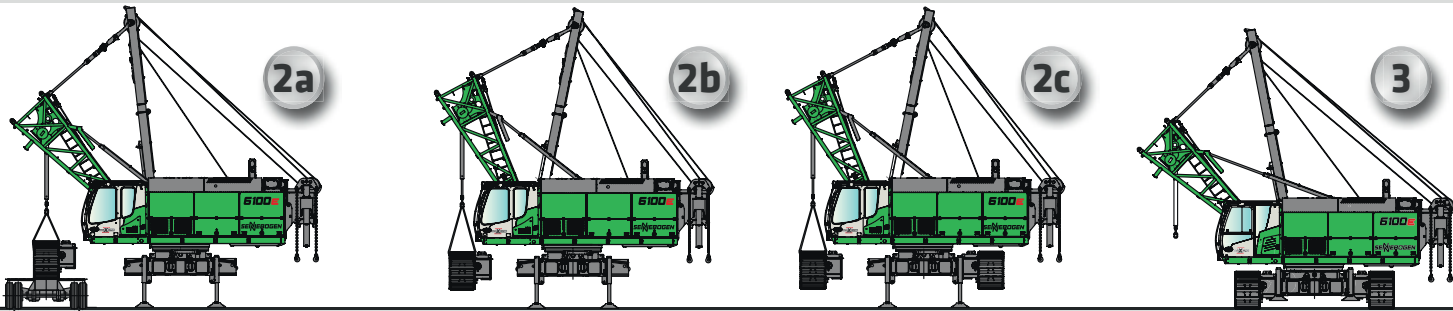
Undercarriage ballast 2 piece

Weight: 8500 kg (2 x)

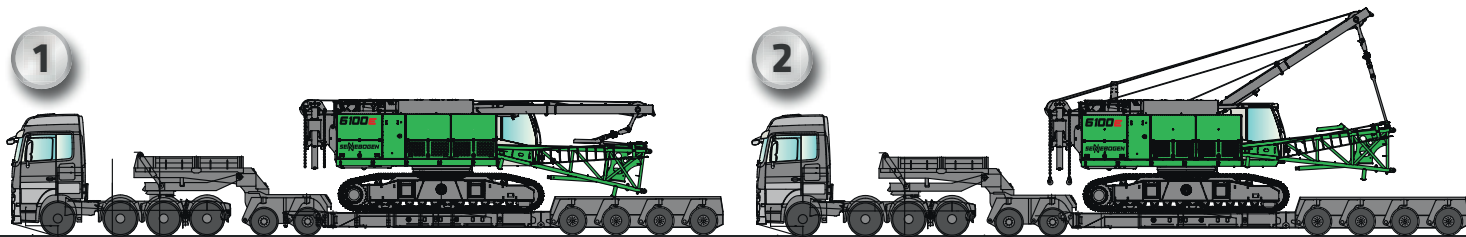
6100E Self-assembly system



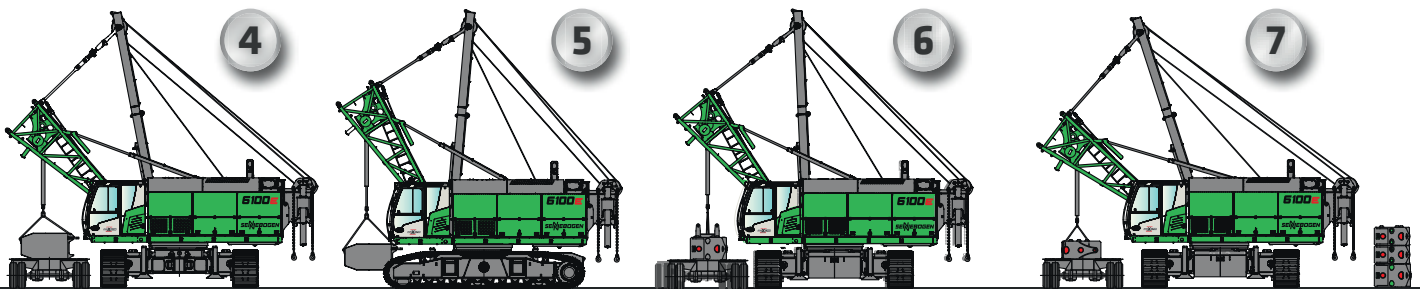
Unload the basic machine with the undercarriage hoisting device (optional)



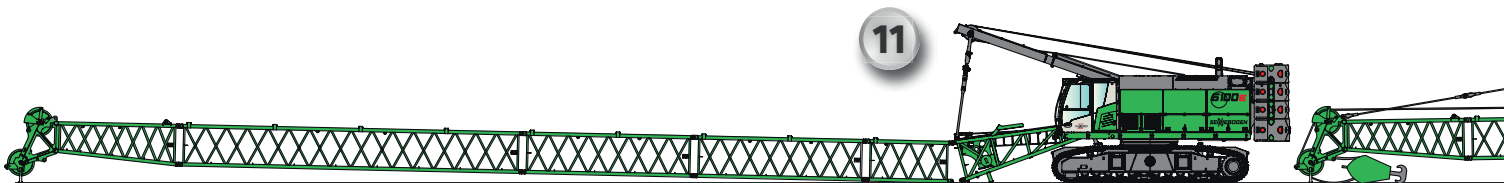
Attach the crawler tracks with self-assembly system (optional)



Unload the basic machine with attached crawler tracks (series)

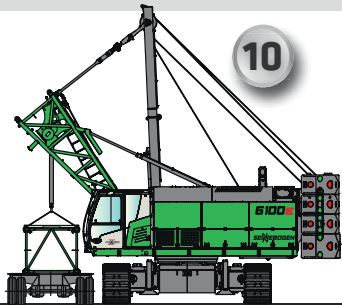
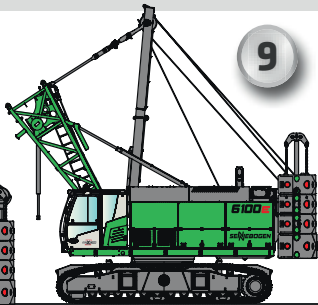
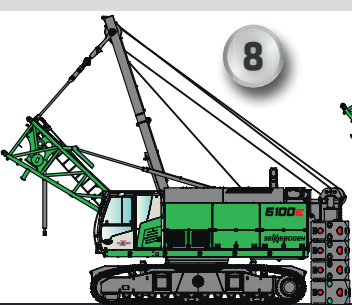
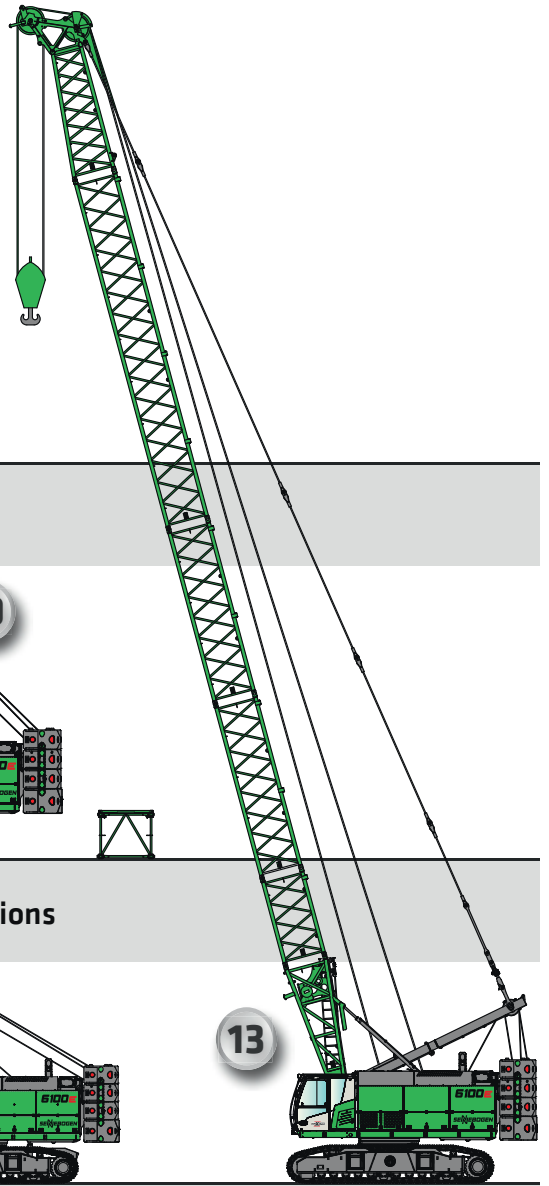
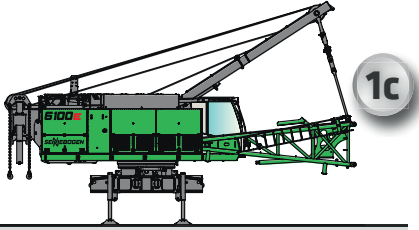


Install undercarriage ballast (optional) and counter weight,

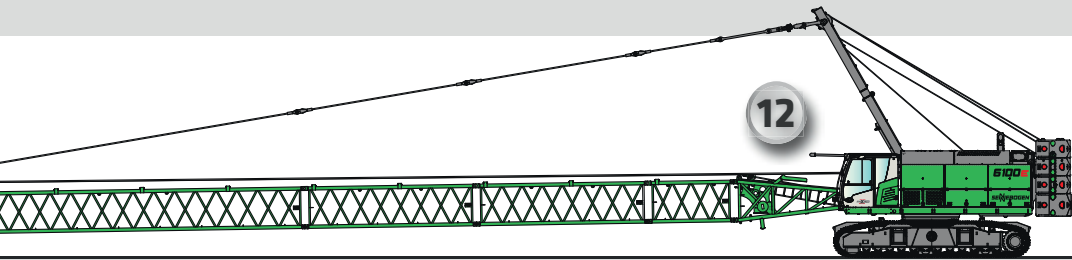


Install boom, hoist cable

6100E Self-assembly system

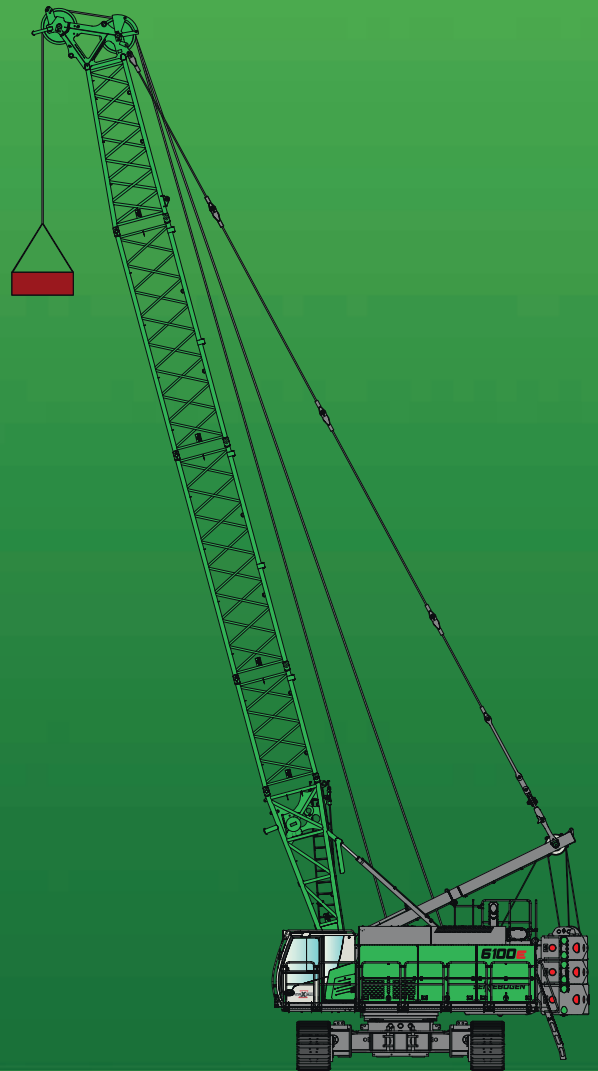


unload boom sections



Attach tensioning cables ready to hoist the boom

6100E



This catalog describes machine models, scopes of equipment of individual models, and configuration options (standard equipment and optional equipment) of the machines delivered by SENNEBOGEN Maschinenfabrik. Machine illustrations can contain optional equipment and supplemental equipment. Actual equipment may vary in a tolerance range depending on the country to which the machines are delivered, especially in regard to standard and optional equipment

All product designations used may be trademarks of SENNEBOGEN Maschinenfabrik GmbH or other supplying companies, and any use by third parties for their own purposes may violate the rights of the owners. Please contact your local SENNEBOGEN sales partner for information concerning the equipment variants offered. Requested performance characteristics are only binding if they are expressly stipulated upon conclusion of the contract. Delivery options and technical features are subject to change. Errors and omissions excepted. Equipment is subject to change, and rights of advancement are reserved. © SENNEBOGEN Maschinenfabrik GmbH, Straubing/Germany. Reproduction in whole or in part only with written consent of SENNEBOGEN Maschinenfabrik GmbH, Straubing, Germany.

SENNEBOGEN

SENNEBOGEN
Maschinenfabrik GmbH
Sennebogenstraße 10
94315 Straubing, Germany

Tel. +49 9421 540-144/146
marketing@sennebogen.de

Order no. 299267
6100R-E-031910