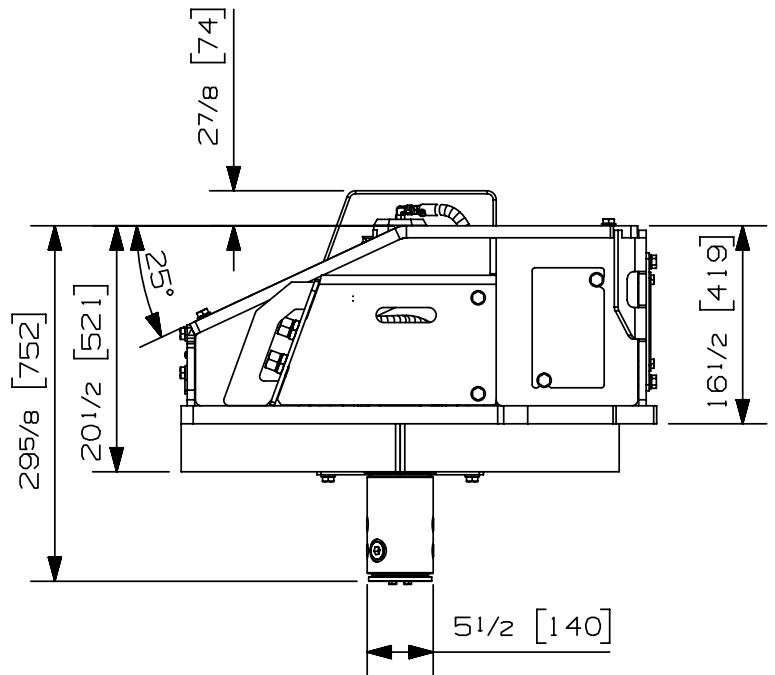
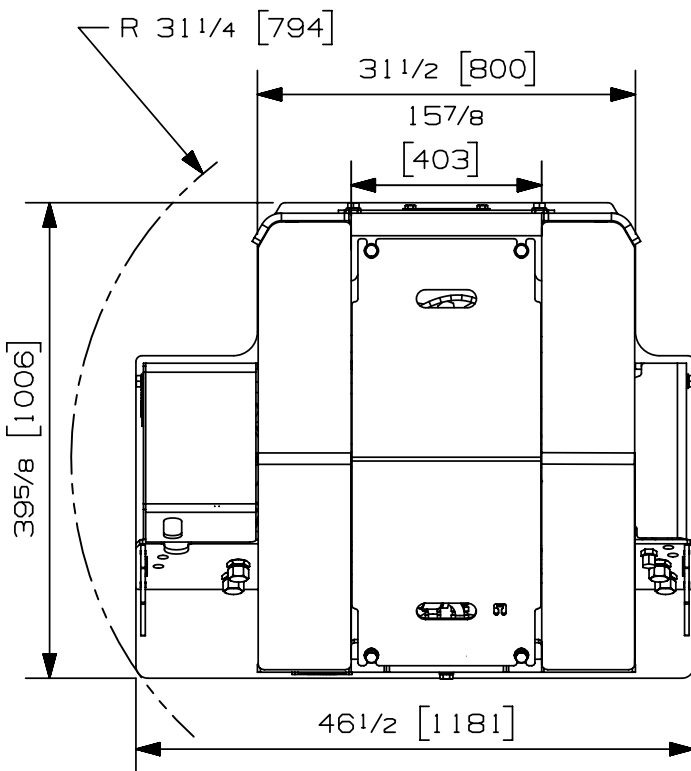


Rotator type:	Continuous	
Maximum lift capacity:	170000 lb	77111 kg
Torque at relief pressure:	218520 lb-in	24689 Nm
	2200 psi	152 bars
Maximum speed:	12 rpm	
Recommended flow to motor:	32 gpm	121 l/min
Maximum pressure to motor:	5000 psi	345 bars
Maximum pressure to collector:	5000 psi	345 bars
Rotator motor inlet ports:	2 X 16 JIC	
Attachment inlet ports:	2 X 16 JIC	
Attachment outlet ports:	2 X 16 ORB - 4 X 10 ORB	
Additional inlet ports:	1 X 10 JIC	
Weight:	2220 lb	1007 kg



Options:

- Custom weld on lugging (675 lbs/ 306 kg)
- Float on swing motor (6 lbs/ 3 kg)
- 2 functions valve on swivel (150 lbs/ 68 kg)
- Positioning cylinder kit, including bracket (660 lbs/ 299 kg)
- Installation kit

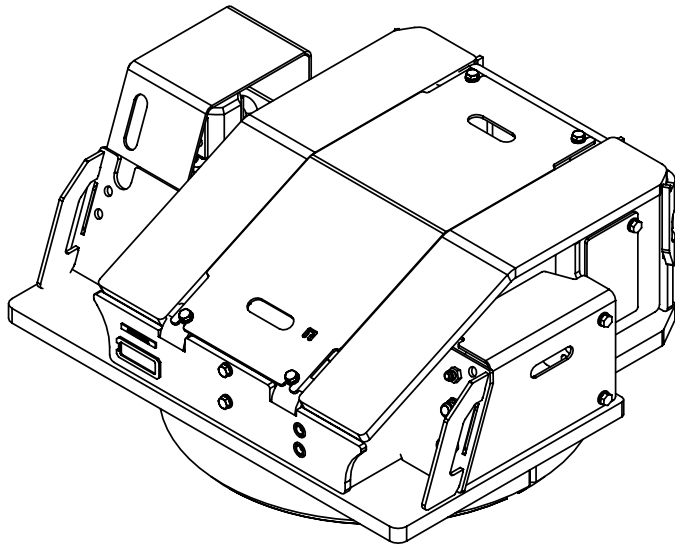
web site: [www.rotobec.com](http://www.rotobec.com)

email: [rotobec@rotobec.com](mailto:rotobec@rotobec.com)

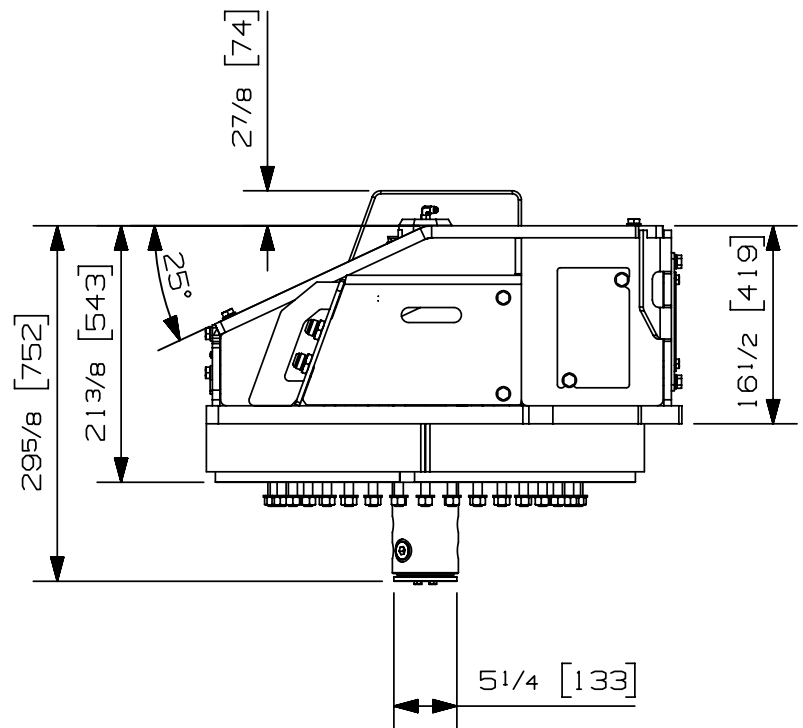
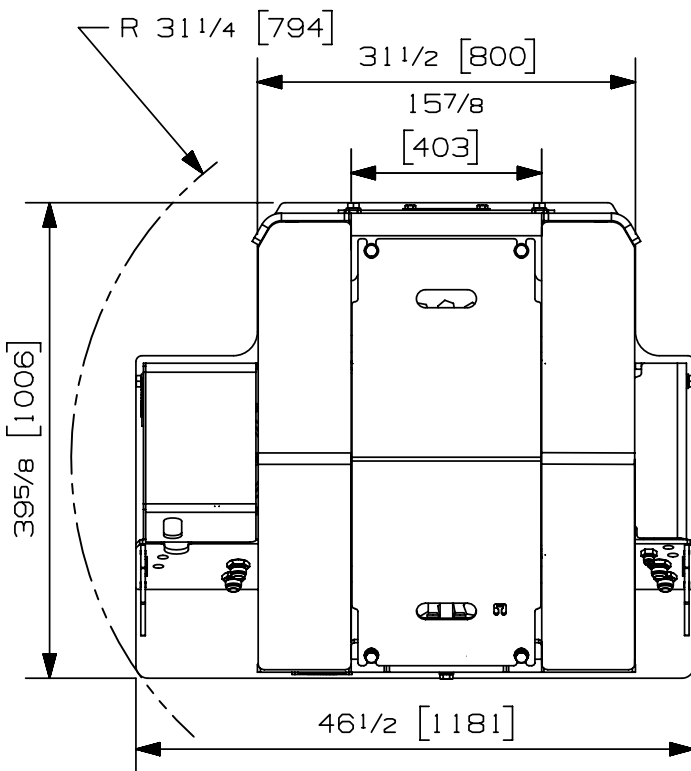
**Rotobec Inc.:** Head office serving OEM's and Eastern Canada Ph: (418) 383-3002 Fax: (418) 383-5334  
**Rotobec West:** Branch serving Western Canada and Western USA Ph: (250) 765-1161 Fax: (250) 765-0035  
**Rotobec USA:** Branch serving Eastern and Central USA Ph: (603) 444-2103 Fax: (603) 444-0327

We reserve the right to change specifications and to improve our products without notice or obligation.

07001-0320  
24/05/18 D.L.



Rotator type:	Continuous	
Maximum lift capacity:	170000 lb	77111 kg
Torque at relief pressure:	218520 lb-in	24689 Nm
	2200 psi	152 bars
Maximum speed:	12 rpm	
Recommended flow to motor:	32 gpm	121 l/min
Maximum pressure to motor:	5000 psi	345 bars
Maximum pressure to collector:	5000 psi	345 bars
Rotator motor inlet ports:	2 X 16 JIC	
Attachment inlet ports:	2 X 16 JIC	
Attachment outlet ports:	2 X 16 ORB - 4 X 10 ORB	
Additional inlet ports:	1 X 10 JIC	
Weight:	2430 lb	1102 kg



**Options:**

- Custom weld on lugging (675 lbs/ 306 kg)
- Float on swing motor (6 lbs/ 3 kg)
- 2 functions valve on swivel (150 lbs/ 68 kg)
- Positioning cylinder kit, including bracket (660 lbs/ 299 kg)
- Installation kit

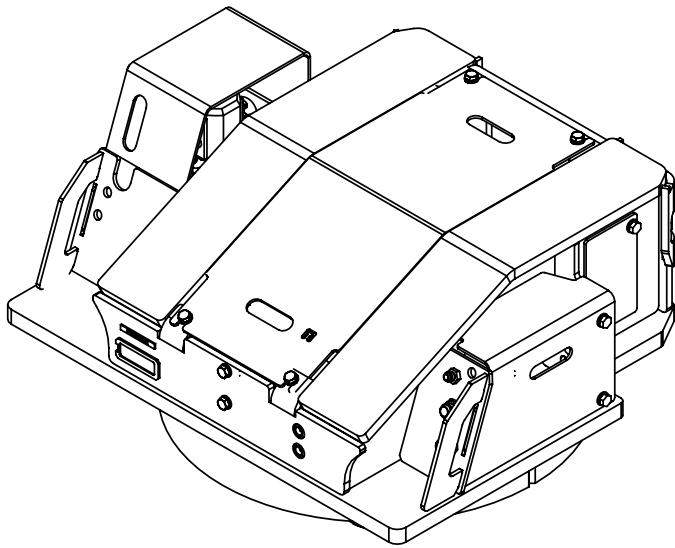
web site: [www.rotobec.com](http://www.rotobec.com)

email: [rotobec@rotobec.com](mailto:rotobec@rotobec.com)

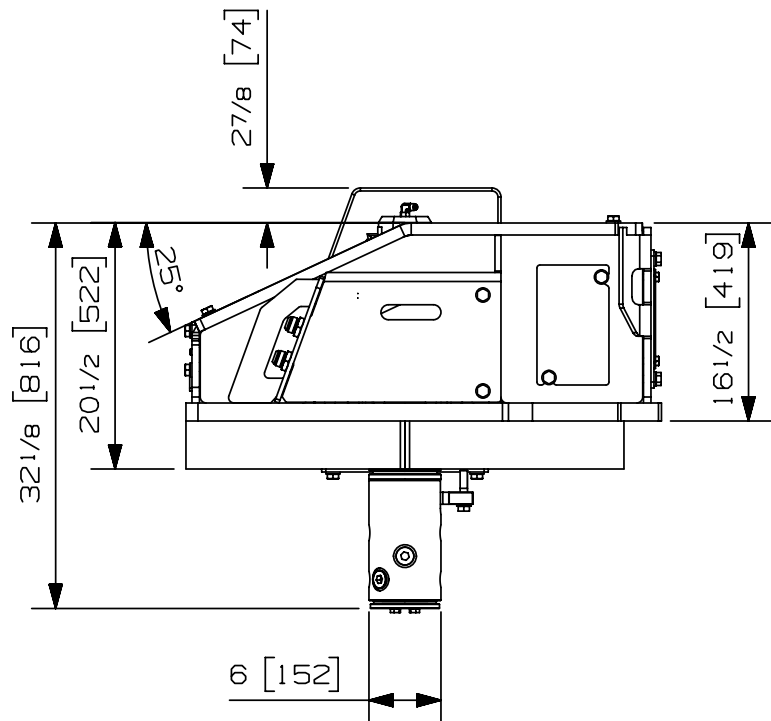
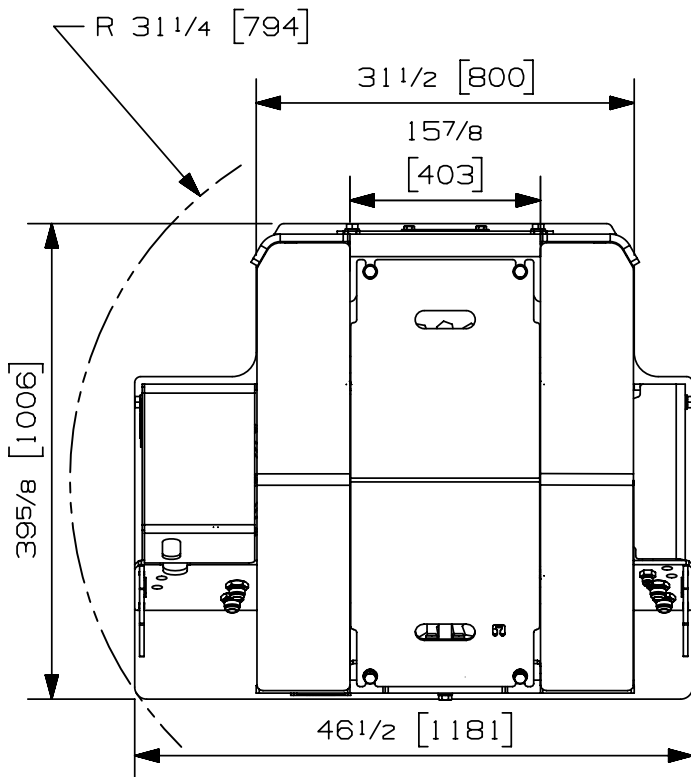
**Rotobec Inc.:** Head office serving OEM's and Eastern Canada Ph: (418) 383-3002 Fax: (418) 383-5334  
**Rotobec West:** Branch serving Western Canada and Western USA Ph: (250) 765-1161 Fax: (250) 765-0035  
**Rotobec USA:** Branch serving Eastern and Central USA Ph: (603) 444-2103 Fax: (603) 444-0327

We reserve the right to change specifications and to improve our products without notice or obligation.

07001-0319  
24/05/18 D.L.



Rotator type:	Continuous	
Maximum lift capacity:	170000 lb	77111 kg
Torque at relief pressure:	218520 lb-in	24689 Nm
	2200 psi	152 bars
Maximum speed:	12 rpm	
Recommended flow to motor:	32 gpm	121 l/min
Maximum pressure to motor:	5000 psi	345 bars
Maximum pressure to collector:	5000 psi	345 bars
Rotator motor inlet ports:	2 X 16 JIC	
Attachment inlet ports:	2 X 16 JIC	
Attachment outlet ports:	5 X 16 ORB - 4 X 10 ORB	
Additional inlet ports:	1 X 10 JIC	
Weight:	2220 lb	1007 kg



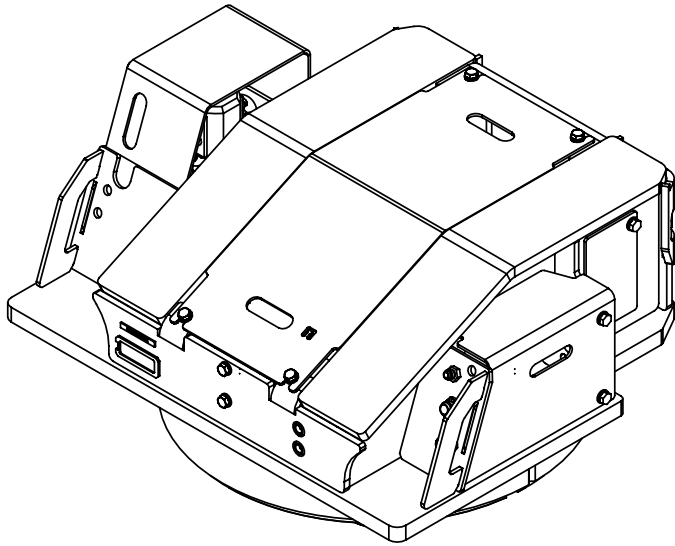
Options:

- Custom weld on lugging (675 lbs/ 306 kg)
- Float on swing motor (6 lbs/ 3 kg)
- 3 functions valve on swivel (145 lbs/ 67 kg)
- Positioning cylinder kit, including bracket (660 lbs/ 299 kg)
- Installation kit

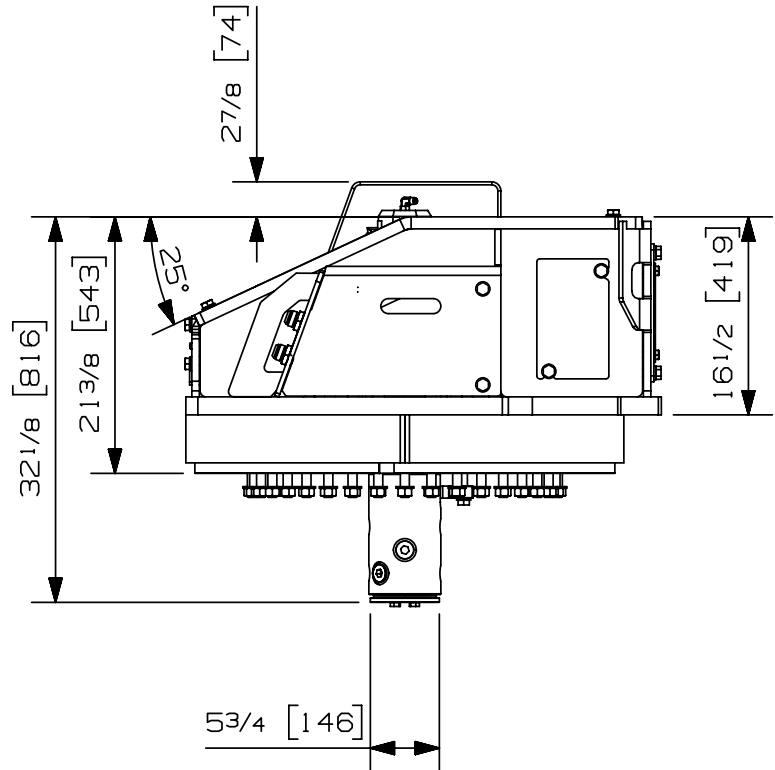
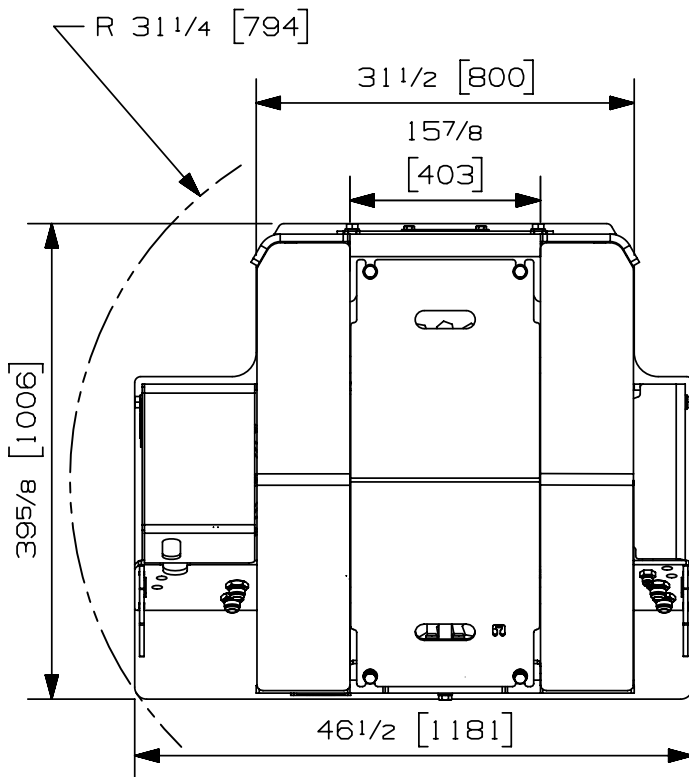
web site: [www.rotobec.com](http://www.rotobec.com)

email: [rotobec@rotobec.com](mailto:rotobec@rotobec.com)

**Rotobec Inc.:** Head office serving OEM's and Eastern Canada Ph: (418) 383-3002 Fax: (418) 383-5334  
**Rotobec West:** Branch serving Western Canada and Western USA Ph: (250) 765-1161 Fax: (250) 765-0035  
**Rotobec USA:** Branch serving Eastern and Central USA Ph: (603) 444-2103 Fax: (603) 444-0327



Rotator type:	Continuous	
Maximum lift capacity:	170000 lb	77111 kg
Torque at relief pressure:	218520 lb-in	24689 Nm
	2200 psi	152 bars
Maximum speed:	12 rpm	
Recommended flow to motor:	32 gpm	121 l/min
Maximum pressure to motor:	5000 psi	345 bars
Maximum pressure to collector:	5000 psi	345 bars
Rotator motor inlet ports:	2 X 16 JIC	
Attachment inlet ports:	2 X 16 JIC	
Attachment outlet ports:	5 X 16 ORB - 4 X 10 ORB	
Additional inlet ports:	1 X 10 JIC	
Weight:	2430 lb	1102 kg



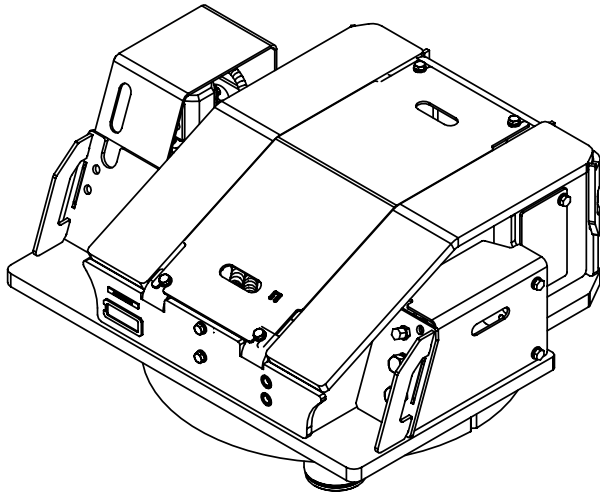
Options:

- Custom weld on lugging (675 lbs/ 306 kg)
- Float on swing motor (6 lbs/ 3 kg)
- 3 functions valve on swivel (145 lbs/ 67 kg)
- Positioning cylinder kit, including bracket (660 lbs/ 299 kg)
- Installation kit

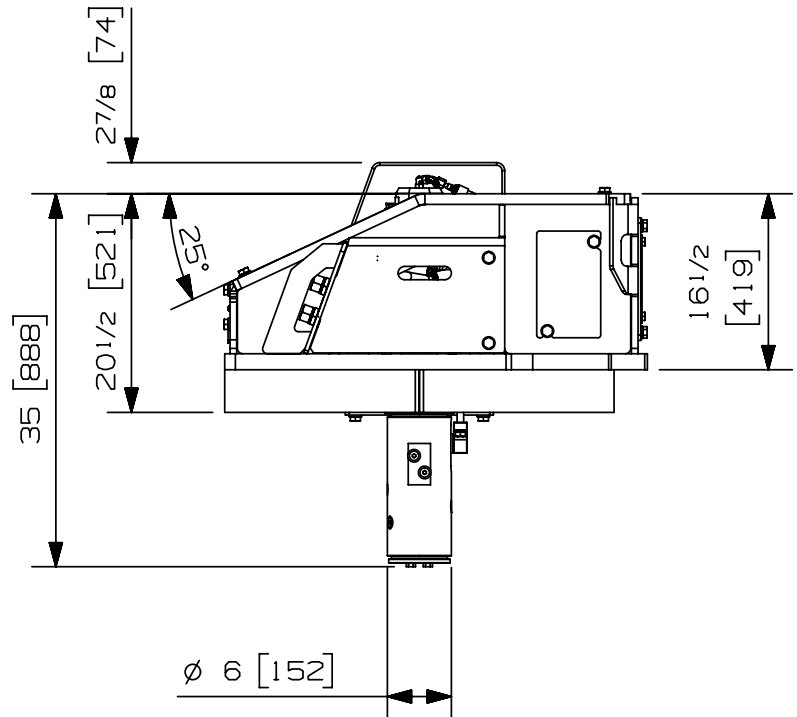
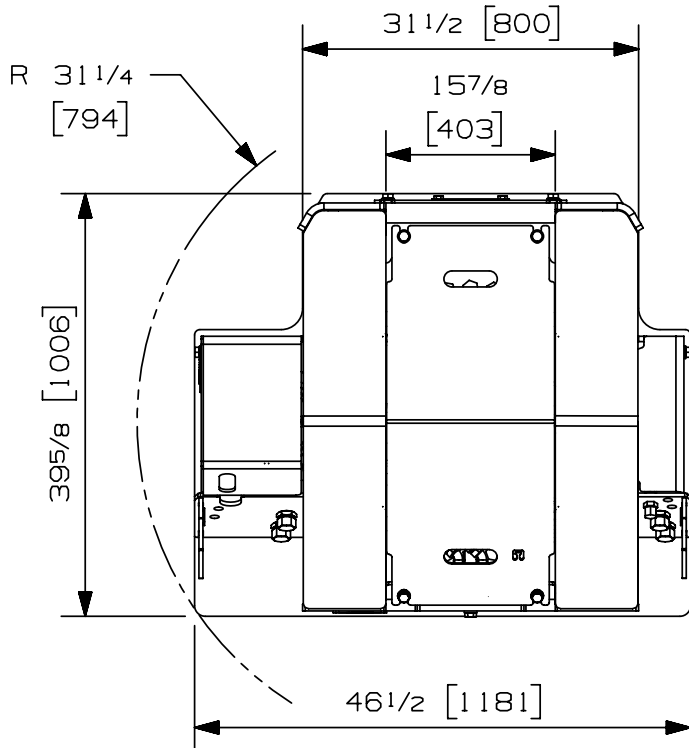
web site: [www.rotobec.com](http://www.rotobec.com)

email: [rotobec@rotobec.com](mailto:rotobec@rotobec.com)

**Rotobec Inc.:** Head office serving OEM's and Eastern Canada Ph: (418) 383-3002 Fax: (418) 383-5334  
**Rotobec West:** Branch serving Western Canada and Western USA Ph: (250) 765-1161 Fax: (250) 765-0035  
**Rotobec USA:** Branch serving Eastern and Central USA Ph: (603) 444-2103 Fax: (603) 444-0327



Rotator type:	Continuous	
Maximum lift capacity:	170000 lb	77111 kg
Torque at relief pressure:	218520 lb-in	24689 Nm
	2200 psi	152 bars
Maximum speed:	12 rpm	
Recommended flow to motor:	32 gpm	121 l/min
Maximum pressure to motor:	5000 psi	345 bars
Maximum pressure to collector:	5000 psi	345 bars
Rotator motor inlet ports:	2 X 16 JIC	
Attachment inlet ports:	4 X 10 JIC - 2 X 16 JIC	
Attachment outlet ports:	8 X 10 ORB	
Additional inlet ports:	1 X 10 JIC	
Weight:	2230 lb	1012 kg



\* SOME DIMENSIONS ARE AVAILABLE

Options:

- Custom weld on lugging (675 lbs / 306 kg)
- Float on swing motor (6 lbs / 3 kg)
- 4 functions valve on swivel (235 lbs / 107 kg)
- Positioning cylinder kit, including bracket (660 lbs / 299 kg)
- Installation kit

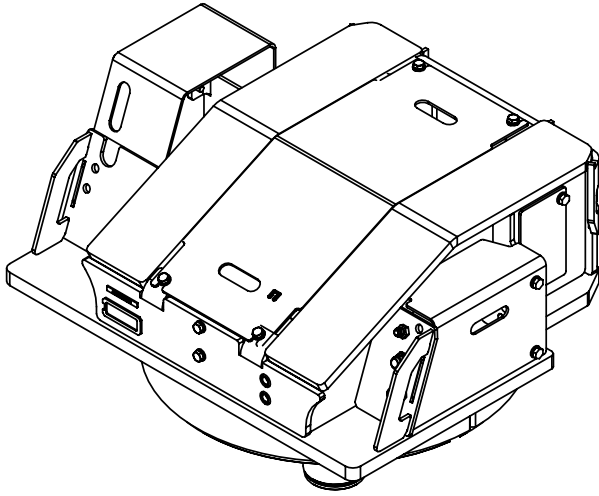
web site: [www.rotobec.com](http://www.rotobec.com)

email: [rotobec@rotobec.com](mailto:rotobec@rotobec.com)

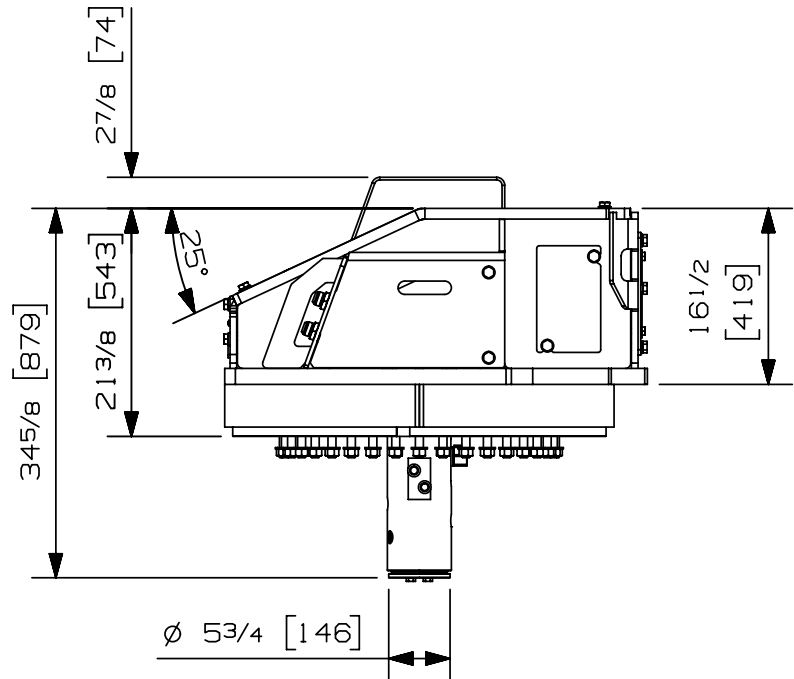
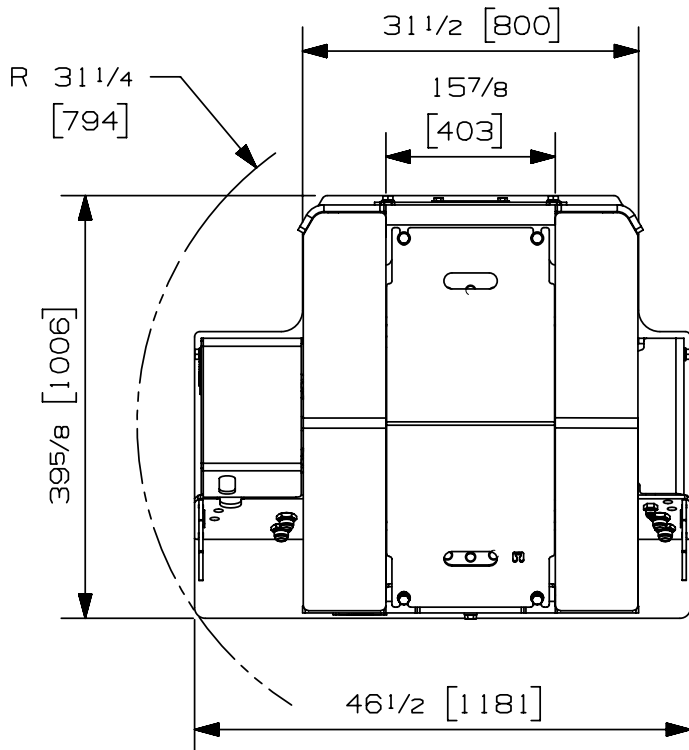
**Rotobec Inc.:** Head office serving OEM's and Eastern Canada Ph: (418) 383-3002 Fax: (418) 383-5334  
**Rotobec West:** Branch serving Western Canada and Western USA Ph: (250) 765-1161 Fax: (250) 765-0035  
**Rotobec USA:** Branch serving Eastern and Central USA Ph: (603) 444-2103 Fax: (603) 444-0327

We reserve the right to change specifications and to improve our products without notice or obligation.

07001-1302  
24/05/18 D.L.



Rotator type:	Continuous	
Maximum lift capacity:	170000 lb	77111 kg
Torque at relief pressure:	218520 lb-in	24689 Nm
	2200 psi	152 bars
Maximum speed:	12 rpm	
Recommended flow to motor:	32 gpm	121 l/min
Maximum pressure to motor:	5000 psi	345 bars
Maximum pressure to collector:	5000 psi	345 bars
Rotator motor inlet ports:	2 X 16 JIC	
Attachment inlet ports:	4 X 10 JIC - 2 X 16 JIC	
Attachment outlet ports:	8 X 10 ORB	
Additional inlet ports:	1 X 10 JIC	
Weight:	2440 lb	1107 kg



\* SOME DIMENSIONS ARE AVAILABLE

Options:

- Custom weld on lugging (675 lbs / 306 kg)
- Float on swing motor (6 lbs / 3 kg)
- 4 functions valve on swivel (235 lbs / 107 kg)
- Positioning cylinder kit, including bracket (660 lbs / 299 kg)
- Installation kit

web site: [www.rotobec.com](http://www.rotobec.com)

email: [rotobec@rotobec.com](mailto:rotobec@rotobec.com)

**Rotobec Inc.:** Head office serving OEM's and Eastern Canada Ph: (418) 383-3002 Fax: (418) 383-5334  
**Rotobec West:** Branch serving Western Canada and Western USA Ph: (250) 765-1161 Fax: (250) 765-0035  
**Rotobec USA:** Branch serving Eastern and Central USA Ph: (603) 444-2103 Fax: (603) 444-0327

We reserve the right to change specifications and to improve our products without notice or obligation.

07001-4854  
24/01/18 D.L.