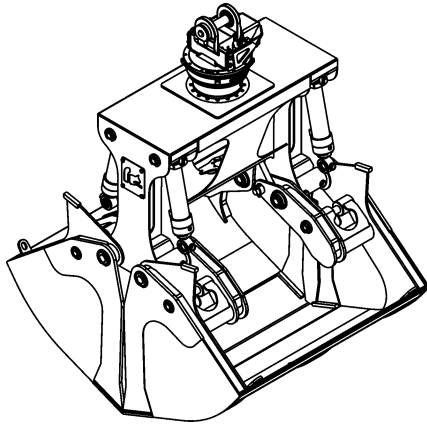




**ROTOBEC™**

# Clamshell Bucket

## CSB150HD with rotator RT-502-STD



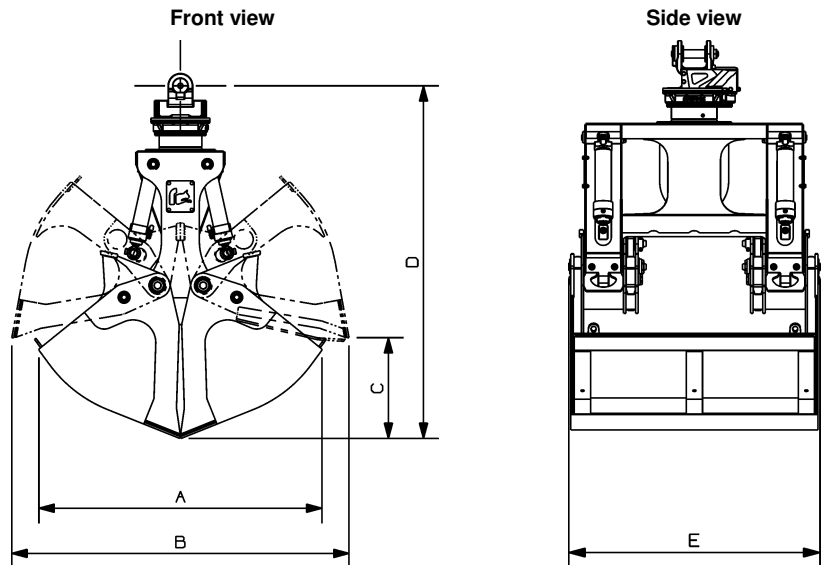
<b>Opening</b>	76 3/8 in. (1940 mm)	
<b>Volume</b>	1.50 cubic yards	1.15 cubic meters
<b>Rotator lifting capacity</b>	50000 lb (22680 kg)	
<b>Torque at relief pressure</b>	18630 in.lb (2105 Nm)	@ 1450 psi (100 bars)
<b>Weight</b>	4950 lb (2245 kg)	

<b>Rotator</b>	<b>Maximum pressure:</b> 5000 psi (345 bars)	<b>Recommended flow:</b> 9 gpm (34 l/min.)
Rotator recommended flow will produce a speed of 25 rpm.		

Cylinder	Diameter	Recommended pressure	Pressure range	Flow range	Lock valves
Standard	3 1/2" (89 mm)	3500 psi (241 bars)	2500 - 4500 psi (172 - 310 bars)	30 - 42 gpm (114 - 159 l/min.)	no

Grapple cylinder maximum flow will theoretically produce a complete grapple open/close cycle in 5 seconds.

Reference	Dimension
A	66 1/2 in. (1689 mm)
B	76 3/8 in. (1940 mm)
C	21 1/8 in. (537 mm)
D	89 1/8 in. (2264 mm)
E	62 in. (1575 mm)



web site: [www.rotobec.com](http://www.rotobec.com)

e-mail: [rotobec@rotobec.com](mailto:rotobec@rotobec.com)

Rotobec Inc.: Head office serving OEM's and Eastern Canada  
 Rotobec West: Branch serving Western Canada and Western USA  
 Rotobec USA: Branch serving Eastern and Central USA

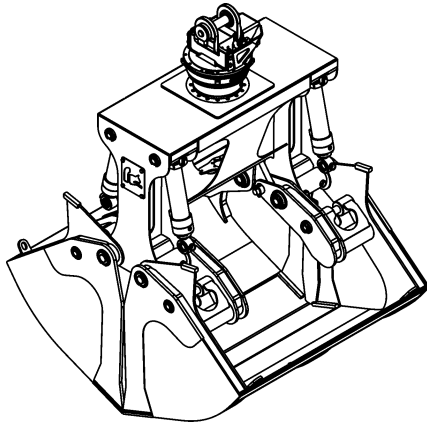
Ph: (418) 383-3002      Fax: (418) 383-5334  
 Ph: (250) 765-1161      Fax: (250) 765-0035  
 Ph: (603) 444-2103      Fax: (603) 444-0327



**ROTOBEC™**

# Clamshell Bucket

## CSB150HD with rotator RT-1002-STD



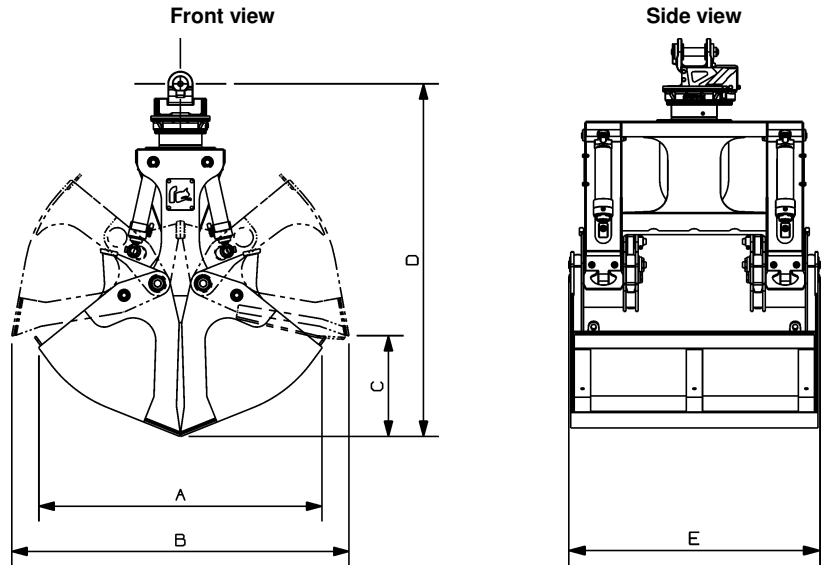
<b>Opening</b>	76 3/8 in. (1940 mm)	
<b>Volume</b>	1.50 cubic yards	1.15 cubic meters
<b>Rotator lifting capacity</b>	100000 lb (45360 kg)	
<b>Torque at relief pressure</b>	22360 in.lb (2527 Nm)	@ 1450 psi (100 bars)
<b>Weight</b>	5190 lb (2354 kg)	

<b>Rotator</b>	<b>Maximum pressure:</b> 5000 psi (345 bars)	<b>Recommended flow:</b> 8 gpm (30 l/min.)
Rotator recommended flow will produce a speed of 20 rpm.		

Cylinder	Diameter	Recommended pressure	Pressure range	Flow range	Lock valves
Standard	3 1/2" (89 mm)	3500 psi (241 bars)	2500 - 4500 psi (172 - 310 bars)	30 - 42 gpm (114 - 159 l/min.)	no

Grapple cylinder maximum flow will theoretically produce a complete grapple open/close cycle in 5 seconds.

Reference	Dimension
A	66 1/2 in. (1689 mm)
B	76 3/8 in. (1940 mm)
C	21 1/8 in. (537 mm)
D	92 in. (2337 mm)
E	62 in. (1575 mm)



**web site: [www.rotobec.com](http://www.rotobec.com)**

**e-mail: [rotobec@rotobec.com](mailto:rotobec@rotobec.com)**

Rotobec Inc.: Head office serving OEM's and Eastern Canada  
 Rotobec West: Branch serving Western Canada and Western USA  
 Rotobec USA: Branch serving Eastern and Central USA

Ph: (418) 383-3002      Fax: (418) 383-5334  
 Ph: (250) 765-1161      Fax: (250) 765-0035  
 Ph: (603) 444-2103      Fax: (603) 444-0327